
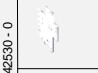
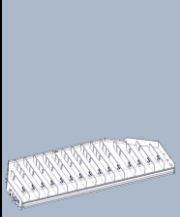







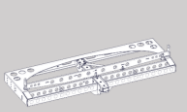



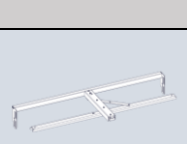





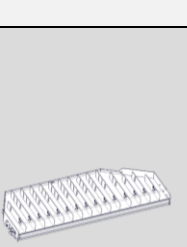
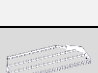
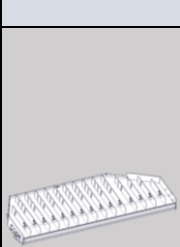



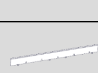
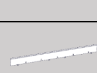


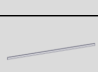
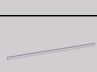


# Installation manual

## TurnLoader™ MD 1250/450,550



STANDARD SET - TurnLoader™ MD 1250/450 - TOP Art. No **0195-450**

TurnLoader MD 1250/450 packing details				PARTS				TurnLoader MD 1250/450 packing details				PARTS					
BOX	SET Art. No	Picture packing	Picture	Product name	Art. No	Weight/ item	Qty	BOX	SET Art. No	Picture packing	Picture	Product name	Art. No	Weight/ item	Qty		
1/8 A (TL1250/450)	0195-450-2530 packing 385 x 385 x 55 /mm/, weight = 5,3 kg			Top bracket 25/30	0195-82003	0,715 kg	2	6/8	0195-30450-0 packing 1240 x 605 x 115 /mm/, weight = 12,5 kg			Adjustable Shelf 0°, 4°, 8°, 12° /450	0195-31000-0	6,700 kg	1		
					Bottom bracket 25/30	0195-82002	1,323 kg					2		Plastic part of adjustable shelf	0195-32001-0 0195-32002-0	3,100 kg	1
					Handle for frame	4010-10000-0	0,415 kg					1		Fontstopper High 113 mm	0195-1140-113	0,630 kg	1
					Connecting mat. for -Frame	0195-70000-0	0,343 kg					1		Divider Easyfill Uni 620	400476	0,050 kg	15
2/8	0195-10000-0 packing 1240 x 500 x 255 /mm/, weight = 30,00 kg			Bottom Part	0195-10000-0	27,900 kg	1	7/8	0195-30450-0 packing 1240 x 605 x 115 /mm/, weight = 12,5 kg			Adjustable Shelf 0°, 4°, 8°, 12° /450	0195-31000-0	6,700 kg	1		
3/8	0195-20000-0 packing 1240 x 470 x 175 /mm/, weight = 11,50 kg			Top part	0195-20000-0	10,100 kg	1						Plastic part of adjustable shelf	0195-32001-0 0195-32002-0	3,100 kg	1	
4/8	0195-40000-0 packing 1300 x 50 x 50 /mm/, weight = 5,00kg			Adjustable frame	0195-40000-0	4,500 kg	1						Fontstopper High 113 mm	0195-1140-113	0,630 kg	1	
5/8	0195-30450-0 packing 1240 x 605 x 115 /mm/, weight = 12,5 kg			Adjustable Shelf 0°, 4°, 8°, 12° /450	0195-31000-0	6,700 kg	1					8/8	0195-30450-0 packing 1240 x 605 x 115 /mm/, weight = 12,5 kg			Adjustable Shelf 0°, 4°, 8°, 12° /450	0195-31000-0
					Plastic part of adjustable shelf	0195-32001-0 0195-32002-0	3,100 kg	1		Plastic part of adjustable shelf	0195-32001-0 0195-32002-0					3,100 kg	1
					Fontstopper High 113 mm	0195-1140-113	0,630 kg	1		Fontstopper High 113 mm	0195-1140-113					0,630 kg	1
					Divider Easyfill Uni 620	400476	0,050 kg	15		Divider Easyfill Uni 620	400476					0,050 kg	15
					Price Ticket LSR39 coS	0195-32003-0	0,050 kg	1		Price Ticket LSR39 coS	0195-32003-0					0,050 kg	1

STANDARD SET - TurnLoader™ MD 1250/550 - TOP Art. No **0195-550**

TurnLoader MD 1250/550 packing details				PARTS				TurnLoader MD 1250/550 packing details				PARTS				
BOX	SET Art. No	Picture packing	Picture	Product name	Art. No	Weight/ item	Qty	BOX	SET Art. No	Picture packing	Picture	Product name	Art. No	Weight/ item	Qty	
1/8 A (TL1250/550)	0195-550-2530 packing 385 x 385 x 55 /mm/, weight = 6,3 kg		0195-52530-0	Top bracket 25/30	0195-84003	1,115 kg	2	6/8	0195-60550-0 packing 1280 x 600 x 115 /mm/, weight = 14 kg			Adjustable Shelf 0°,4°,8°,12°/550	0195-61000-0	8,000 kg	1	
				Bottom bracket 25/30	0195-84002	1,332 kg	2						Plastic part of adjustable shelf	0195-62001-0 0195-62002-0	3,680 kg	1
				Handle for frame	4010-10000-0	0,415 kg	1						Frontstopper High 113 mm	0195-1140-113	0,630 kg	1
				Connecting mat. for -Frame	0195-70000-0	0,343 kg	1						Divider Easyfill Uni 620	400476	0,050 kg	15
2/8	0195-10000-0 packing 1240 x 500 x 255 /mm/, weight = 90,00 kg			Bottom Part	0195-10000-0	27,900 kg	1	7/8	0195-60550-0 packing 1280 x 600 x 115 /mm/, weight = 14 kg			Adjustable Shelf 0°,4°,8°,12°/550	0195-61000-0	8,000 kg	1	
3/8	0195-20000-0 packing 1240 x 470 x 175 /mm/, weight = 11,50 kg			Top part	0195-20000-0	10,100 kg	1						Plastic part of adjustable shelf	0195-62001-0 0195-62002-0	3,680 kg	1
4/8	0195-40000-0 packing 300 x 50 x 50 /mm/, weight = 5,00 kg			Adjustable frame	0195-40000-0	4,500 kg	1						Frontstopper High 113 mm	0195-1140-113	0,630 kg	1
5/8	0195-60550-0 packing 1280 x 600 x 115 /mm/, weight = 14 kg			Adjustable Shelf 0°,4°,8°,12°/550	0195-61000-0	8,000 kg	1					8/8	0195-60550-0 packing 1280 x 600 x 115 /mm/, weight = 14 kg			Adjustable Shelf 0°,4°,8°,12°/550
				Plastic part of adjustable shelf	0195-62001-0 0195-62002-0	3,680 kg	1		Plastic part of adjustable shelf	0195-62001-0 0195-62002-0	3,680 kg					1
				Frontstopper High 113 mm	0195-1140-113	0,630 kg	1		Frontstopper High 113 mm	0195-1140-113	0,630 kg					1
				Divider Easyfill Uni 620	400476	0,050 kg	15		Divider Easyfill Uni 620	400476	0,050 kg					15
				Price Ticket LSR39 coS	0195-32003-0	0,050 kg	1		Price Ticket LSR39 coS	0195-32003-0	0,050 kg					1



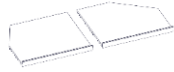







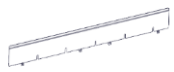

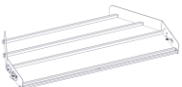

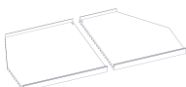


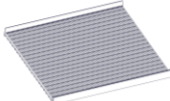
EXTRA SET - TurnLoader™ MD 1250/450

TurnLoader MD 1250/450 packing details				PARTS				TurnLoader MD 1250/450 packing details				PARTS			
BOX	SET Art. No	Picture packing	Picture	Product name	Art. No	Weight/ item	Qty	BOX	SET Art. No	Picture packing	Picture	Product name	Art. No	Weight/ item	Qty
	100514 (2x0193-70000-0) packing 650 x 580 x 200 /mm/, weight = 10,2 kg			Bottom Shelf	0155-44100-0	1,800 kg	2	0195-30450-0 packing 1240 x 605 x 115 /mm/, weight = 12,5 kg			Adjustable Shelf 0°, 4°, 8°, 12° /450	0195-31000-0	6,700 kg	1	
				Plastic part of bottom shelf	400394	2,170 kg	2				Plastic part of adjustable shelf	0195-32001-0 0195-32002-0	3,100 kg	1	
				Frontstopper UNI620 High H 113 mm	0620-00113	0,213 kg	2				Frontstopper High 113 mm	0195-1140-113	0,630 kg	1	
				Divider Easyfill Uni 620	400476	0,050 kg	16				Divider Easyfill Uni 620	400476	0,050 kg	15	
1/8 B (TL1250/450) 0195-450-2532 packing 385 x 385 x 55 /mm/, weight = 5,3 kg				Top bracket 25/32	0195-81003-0	0,715 kg	2				Price Ticket LSR39 coS	0195-32003-0	0,050 kg	1	
				Bottom bracket 25/32	0195-81002-0	1,323 kg	2								
				Handle for frame	4010-10000-0	0,415 kg	1								
				Connecting mat. for-Frame	0195-70000-0	0,343 kg	1								

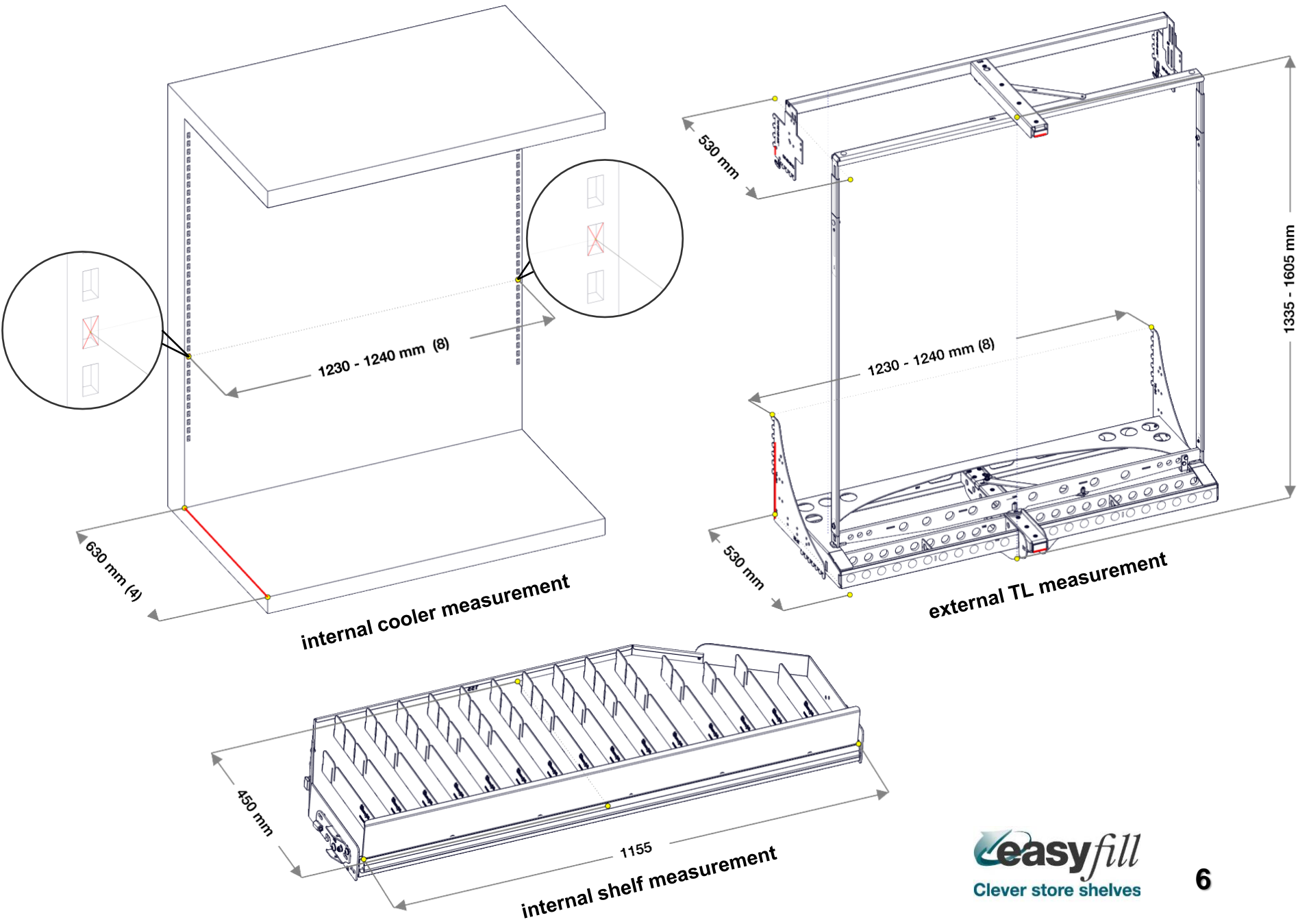
EXTRA SET - TurnLoader™ MD 1250/550

TurnLoader MD 1250/550 packing details				PARTS				TurnLoader MD 1250/550 packing details				PARTS			
BOX	SET Art. No	Picture packing	Picture	Product name	Art. No	Weight/ item	Qty	BOX	SET Art. No	Picture packing	Picture	Product name	Art. No	Weight/ item	Qty
	100514 (2x0193-70000-0) packing 650 x 580 x 200 /mm/, weight = 10,2 kg			Bottom Shelf	0155-44100-0	1,800 kg	2	0195-60550-0 packing 1280 x 600 x 115 /mm/, weight = 14 kg			Adjustable Shelf 0°, 4°, 8°, 12° /550	0195-61000-0	8,000 kg	1	
				Plastic part of bottom shelf	400394	2,170 kg	2				Plastic part of adjustable shelf	0195-62001-0 0195-62002-0	3,680 kg	1	
				Frontstopper UNI620 High H 113 mm	0620-00113	0,213 kg	2				Frontstopper High 113 mm	0195-1140-113	0,630 kg	1	
				Divider Easyfill Uni 620	400476	0,050 kg	16				Divider Easyfill Uni 620	400476	0,050 kg	15	
1/8 B (TL1250/550) 0195-550-2532 packing 385 x 385 x 55 /mm/, weight = 6,3 kg				Top bracket 25/32	0195-83003-0	1,115 kg	2				Price Ticket LSR39 coS	0195-32003-0	0,050 kg	1	
				Bottom bracket 25/32	0195-83002-0	1,332 kg	2								
				Handle for frame	4010-10000-0	0,415 kg	1								
				Connecting mat. for-Frame	0195-70000-0	0,343 kg	1								

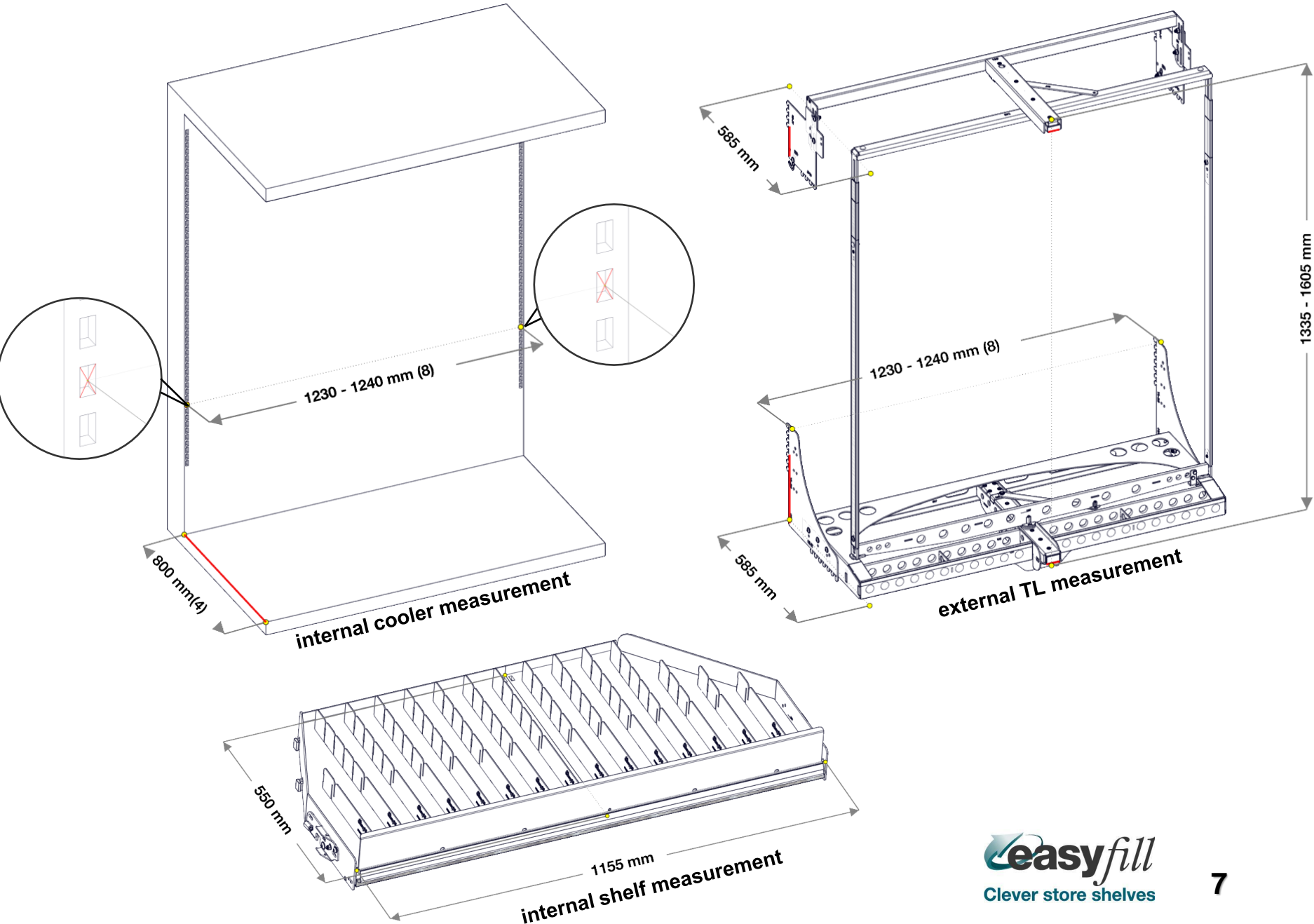
**ACCESSORIES - TL 1250/450,550**

TurnLoader packing details		ACCESSORIES			TurnLoader packing details		ACCESSORIES		
Picture	Product name	Art. No	Weight /item	Qty	Picture	Product name	Art. No	Weight /item	Qty
	Adjustable Shelf 0°-12°/450	0195-31000-0	6,700 kg	1		Divider Easyfill Uni 620	400476	0,050 kg	1
	Plastic part of adjustable shelf 450	0195-32001-0 0195-32002-0	3,100 kg	1		Divider extender L=483 mm	889090	0,030 kg	1
	Price Ticket LSR39 coS	0195-32003-0	0,050 kg	1		Pusher	0118-00000-0	0,050 kg	1
	Frontstopper High H 113 mm	0195-1140-113	0,630 kg	1		Rollertrack	400392	0,150 kg	1
	Frontstopper Low H 54 mm	0195-1140-054	0,250 kg	1		Handle for frame	4010-10000-0	0,415 kg	1
	Frontstopper ExtraHigh H163 mm	0195-1140-163	0,850 kg	1		Frontstopper UNI620 High H 113 mm	0620-00113	0,343 kg	1
	Adjustable Shelf 0°-12°/550	0195-61000-0	8,000 kg			Frontstopper UNI620 Low H 54 mm	0620-00054	0,150 kg	1
	Plastic part of adjustable shelf 550	0195-62001-0 0195-62002-0	3,680 kg			Frontstopper UNI620 ExtraHigh H163 mm	0620-00163	0,460 kg	1
	Bottom Shelf	0155-44100-0	1,800 kg	1		Plastic part of bottom shelf	400394	2,170 kg	1

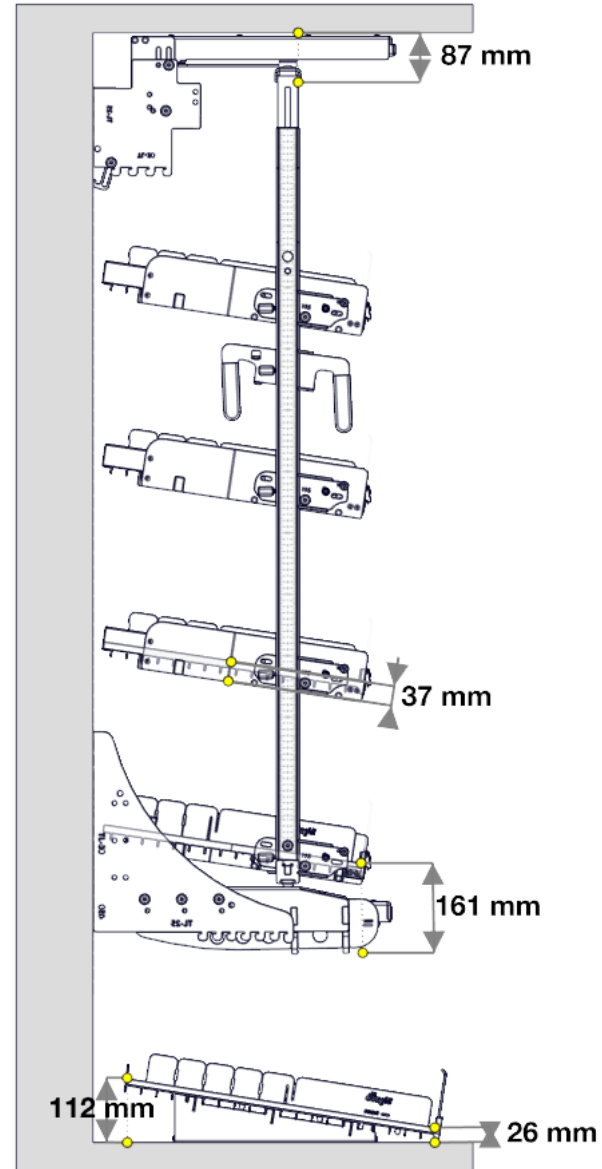
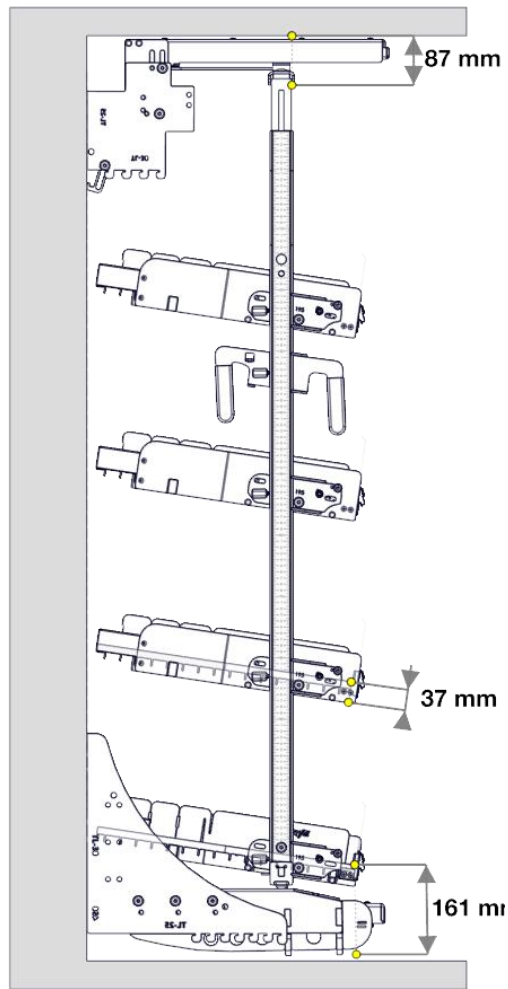
# Measurement for TurnLoader™ MD 1250/450



# Measurement for TurnLoader™ MD 1250/550



# Measurement for TurnLoader™ MD 1250



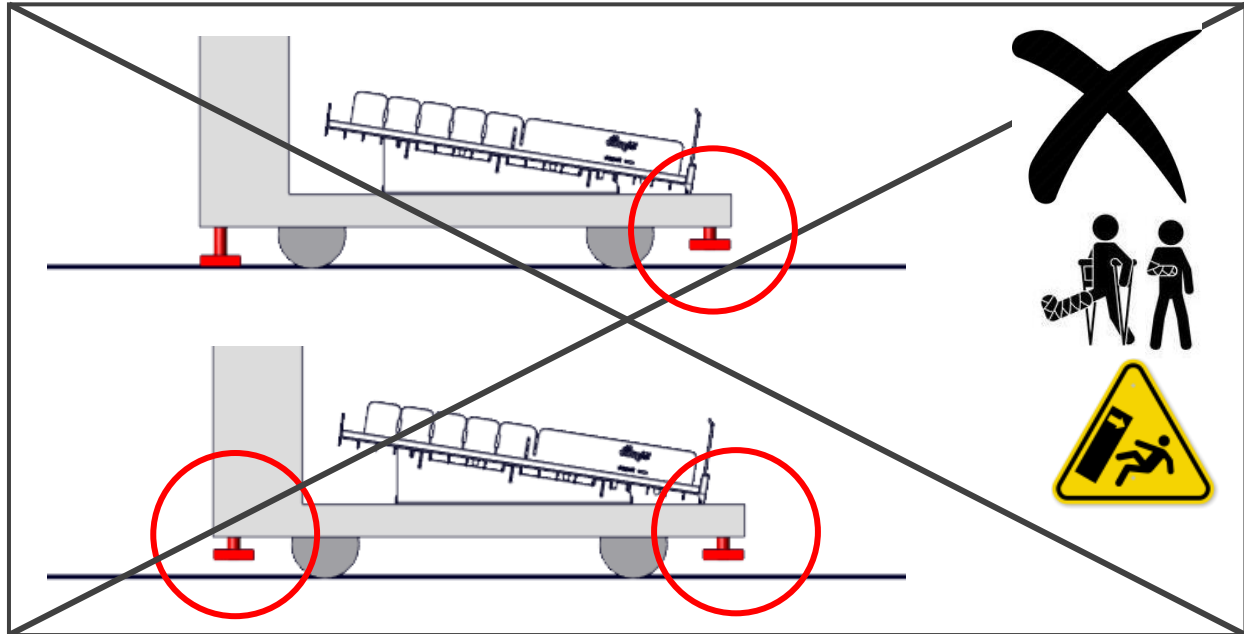
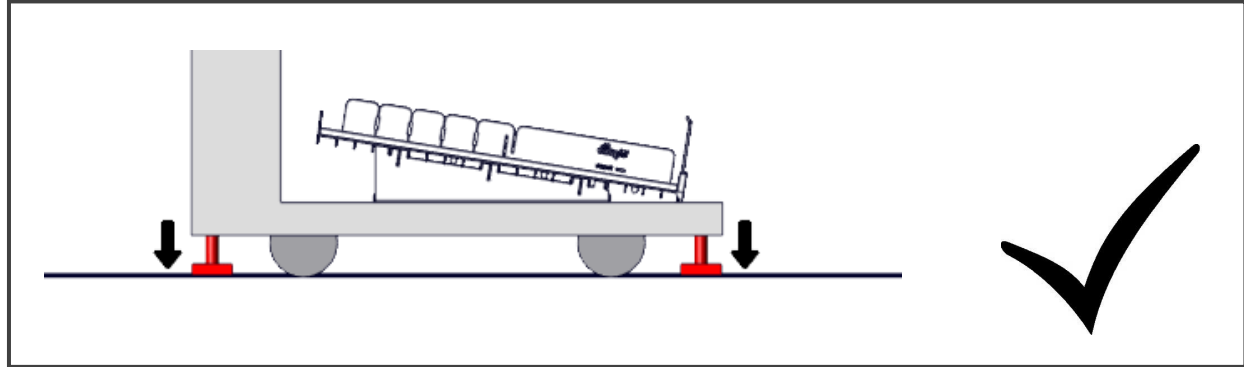
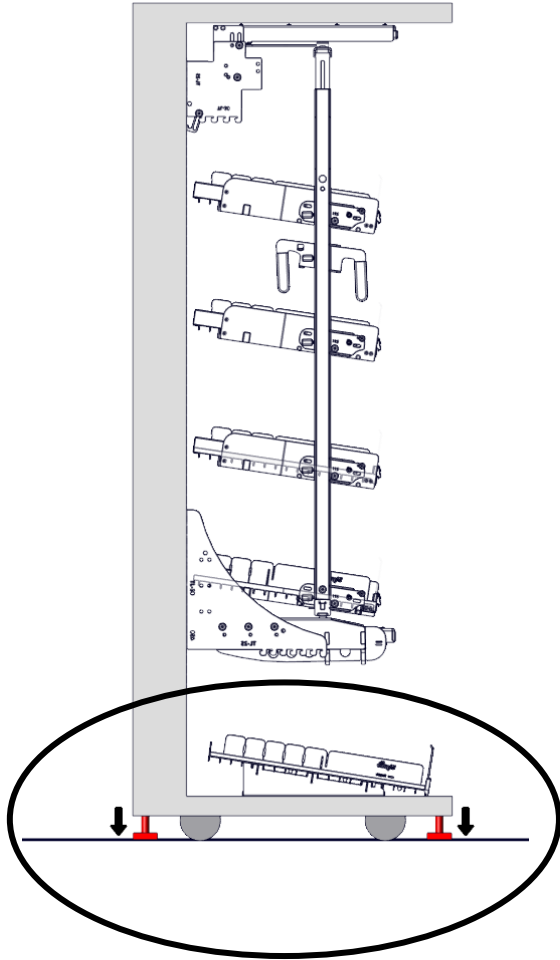




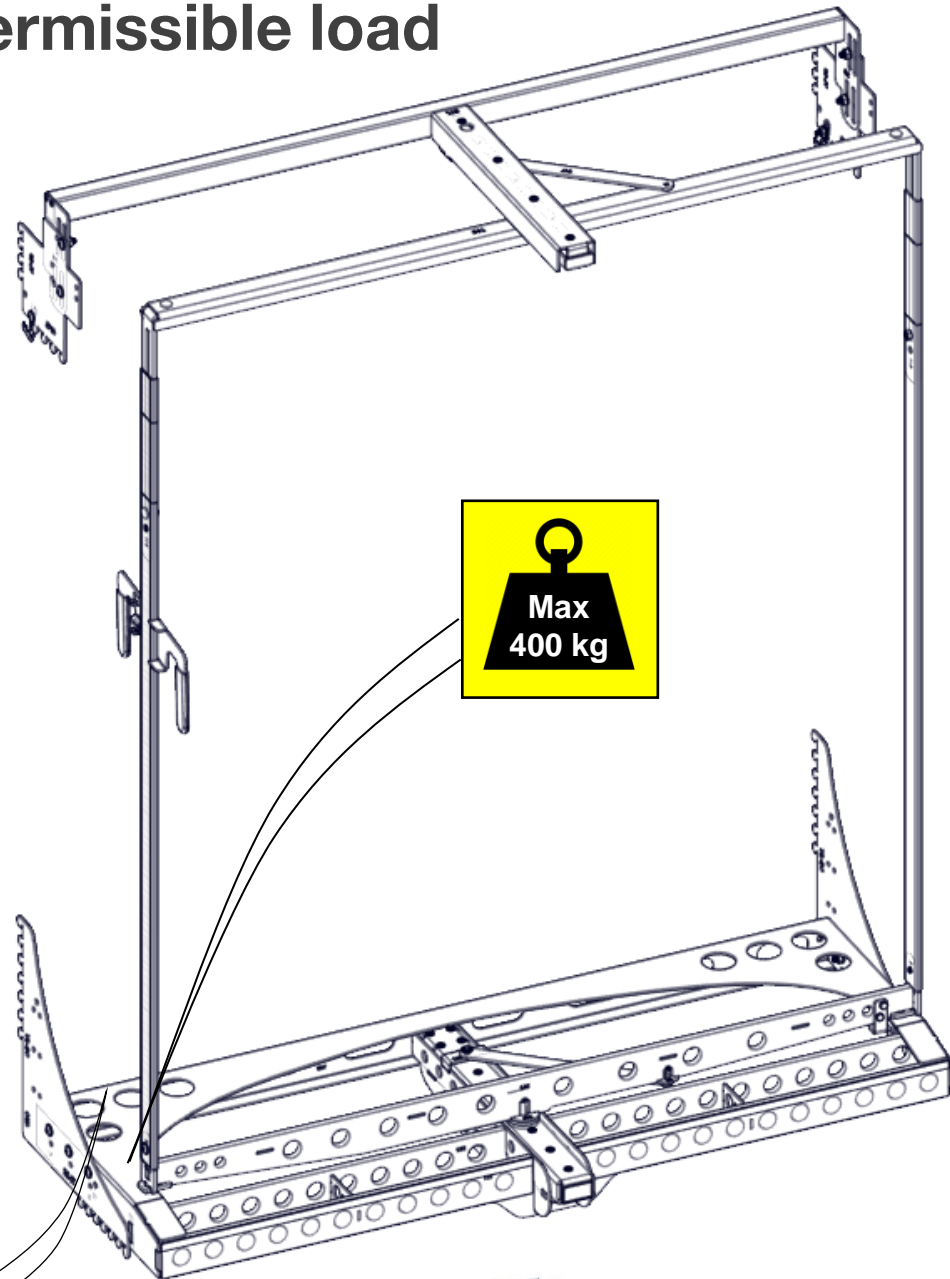
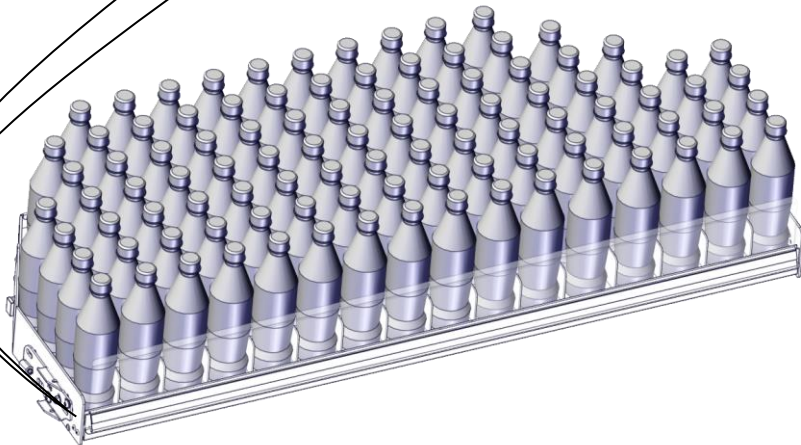
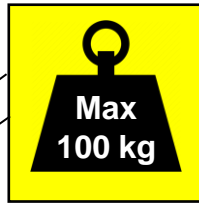
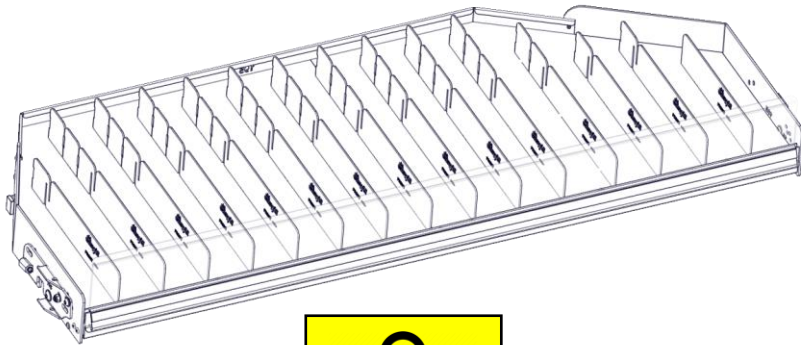
# WARNING



## Cooler stability



# Maximum permissible load



**easyfill** TurnLoader MD - 0195

Production date : xxxx/xxxx

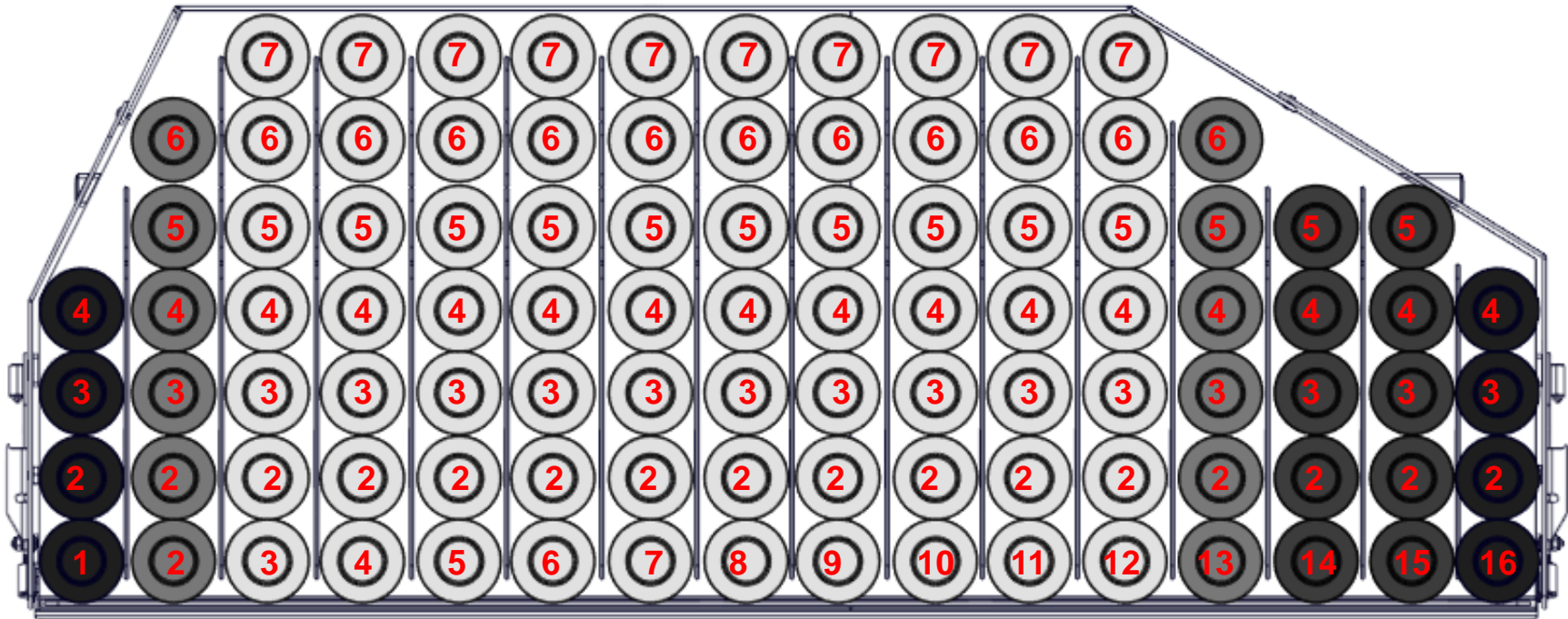
# SHELF 450 – ART. NO - 0195-30450-0



- 500 ml PET
- Ø 65 mm
- 0,48 m2

$4 \times 2 = 8$
$5 \times 2 = 10$
$6 \times 2 = 12$
$7 \times 10 = 70$

= 100



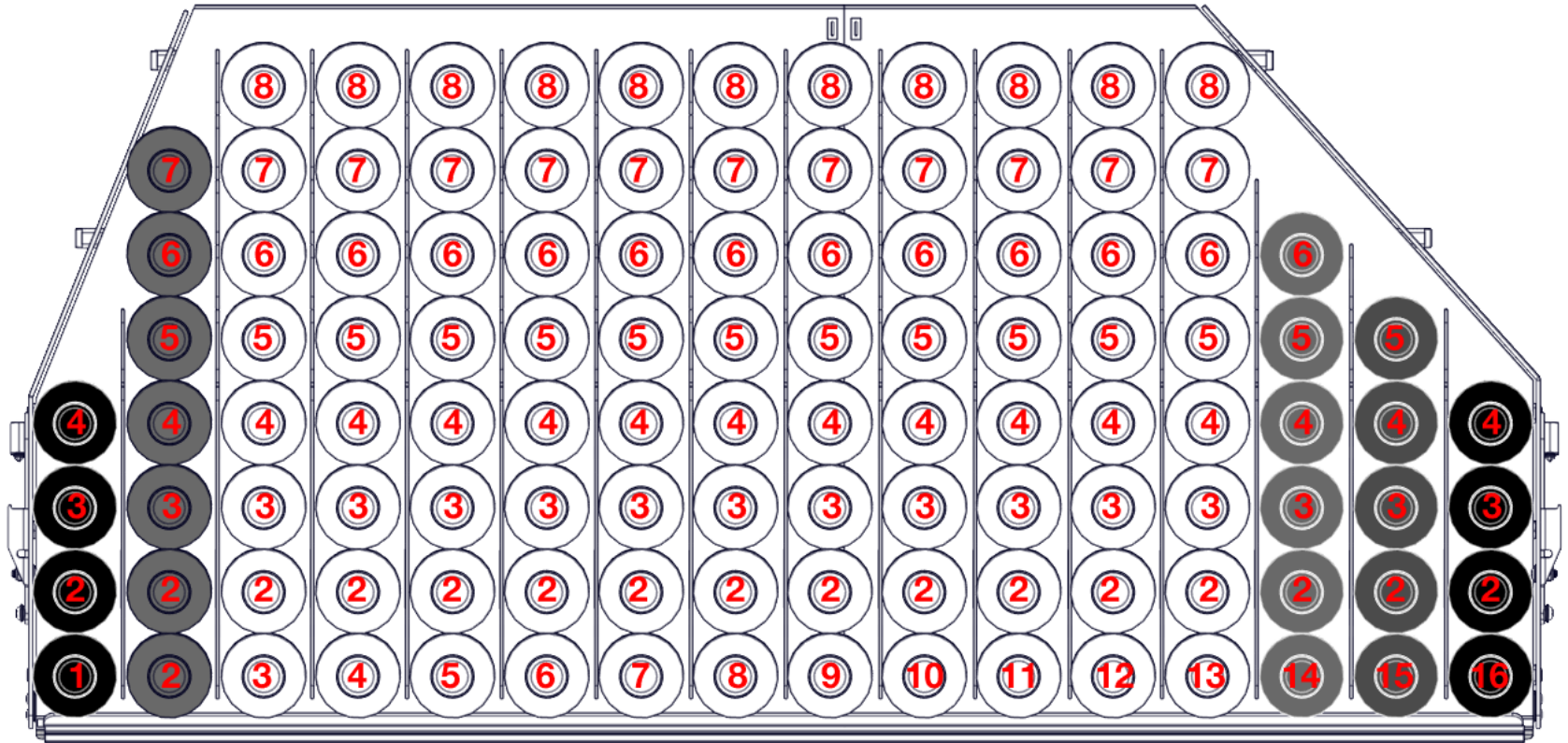
# SHELF 550 – ART. NO - 0195-60550-0



- 500 ml PET
- Ø 65 mm
- 0,48 m2

4 x	2 =	8
5 x	1 =	5
6 x	1 =	6
7 x	1 =	7
8 x	11 =	88

**= 114**

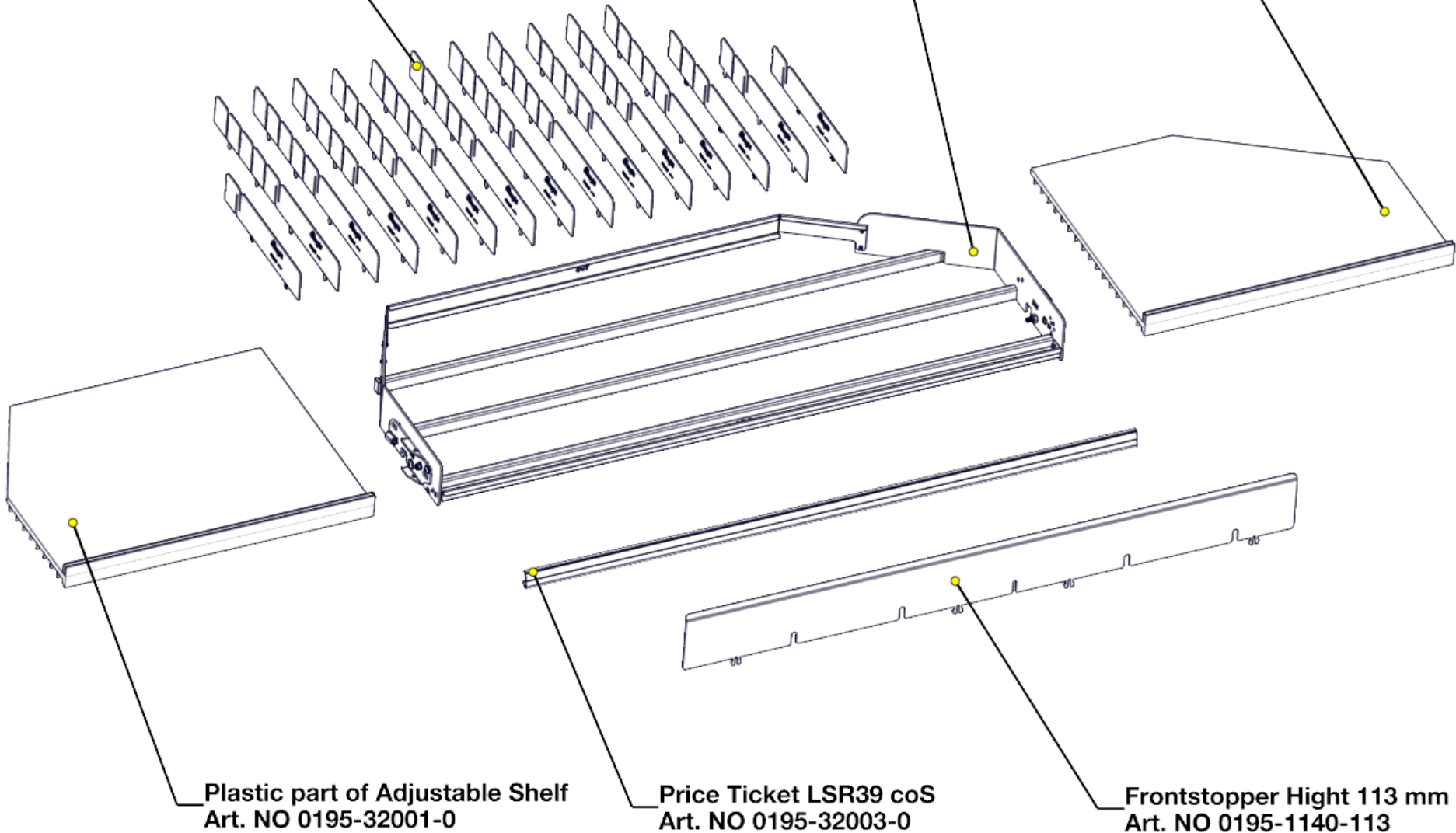


# SET Art.No. 0195-30450-0

Divider Easyfill Uni 620  
Art. NO 400476

Adjustable Shelf /450  
Art. NO 0195-31000-0

Plastic part of Adjustable Shelf  
Art. NO 0195-32002-0

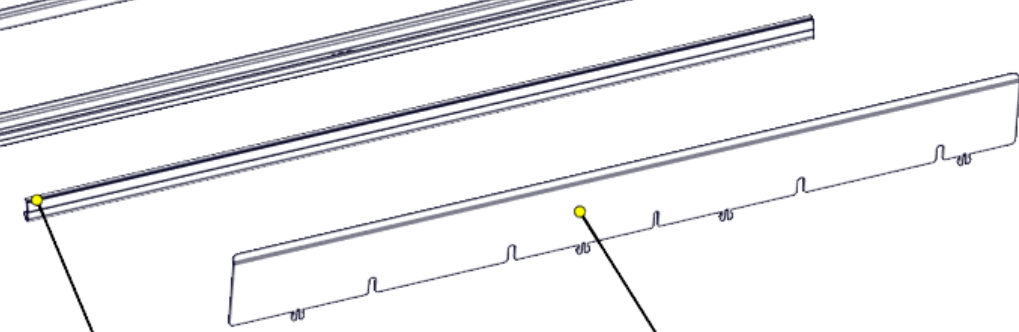
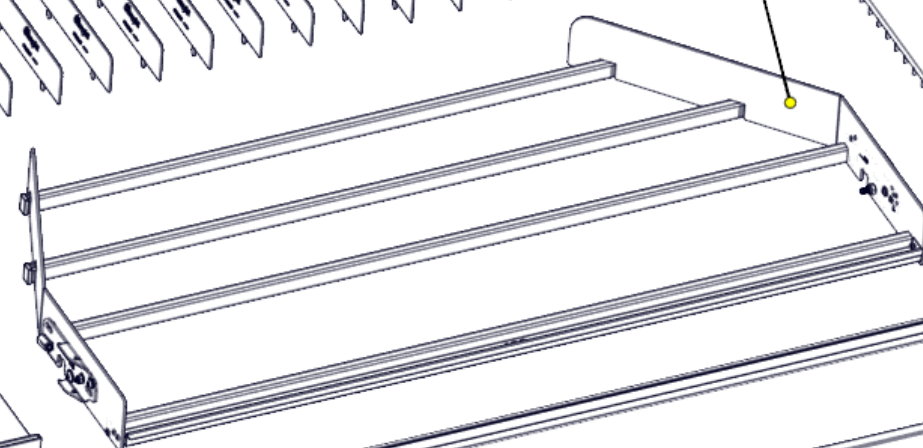
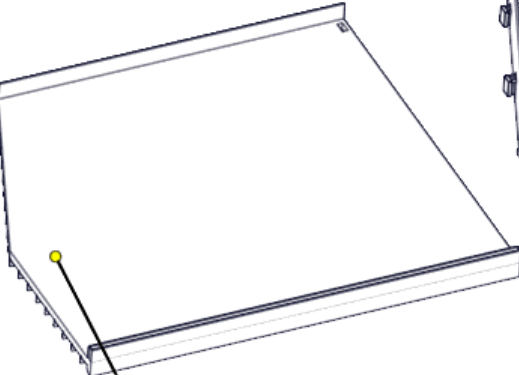
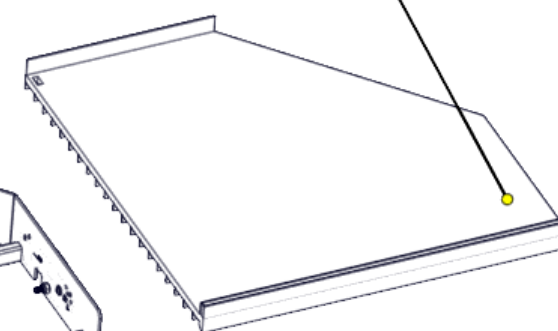
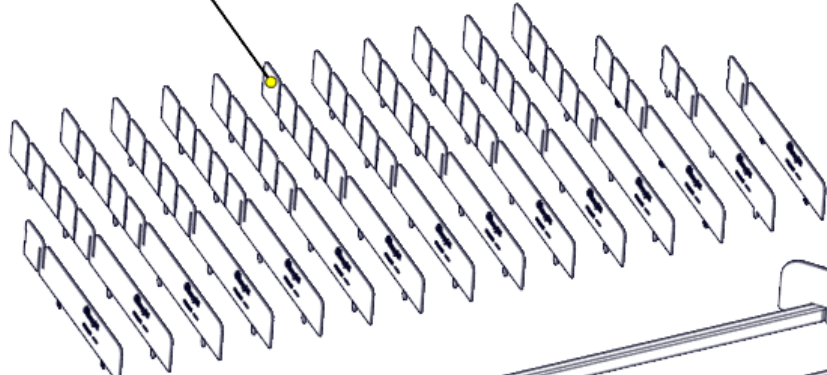


# SET Art.No. 0195-60550-0

Divider Easyfill Uni 620  
Art. NO 400476

Adjustable Shelf /550  
Art. NO 0195-61000-0

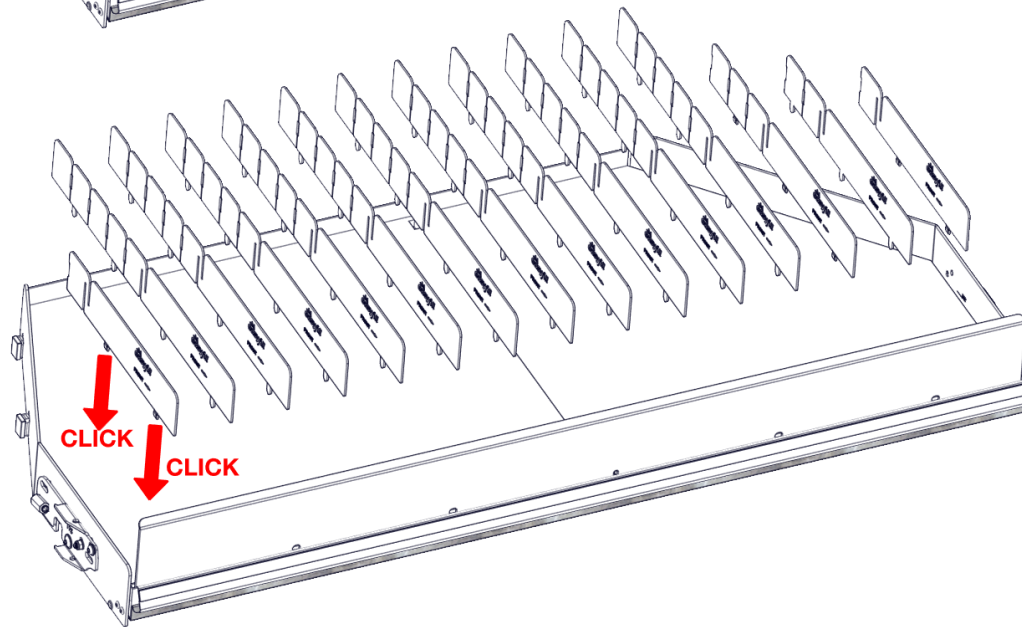
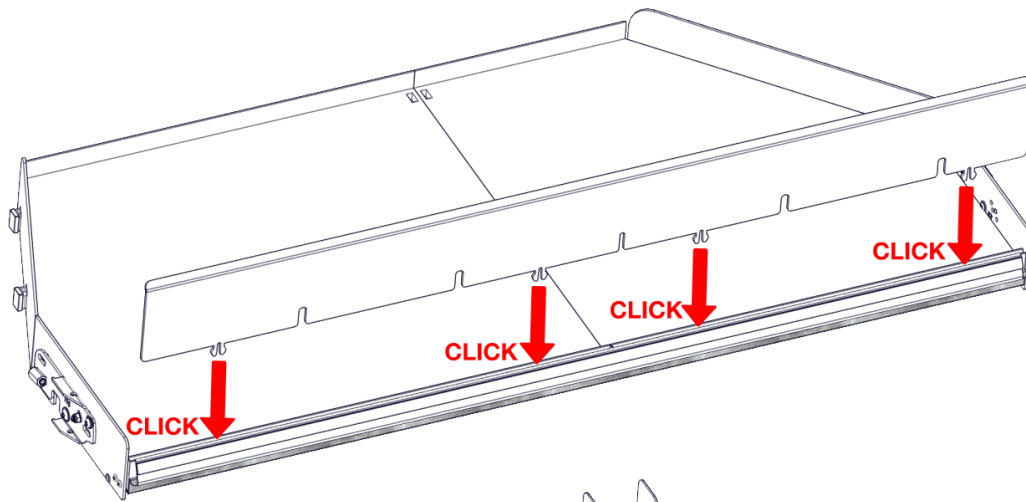
Plastic part of Adjustable Shelf  
Art. NO 0195-62002-0



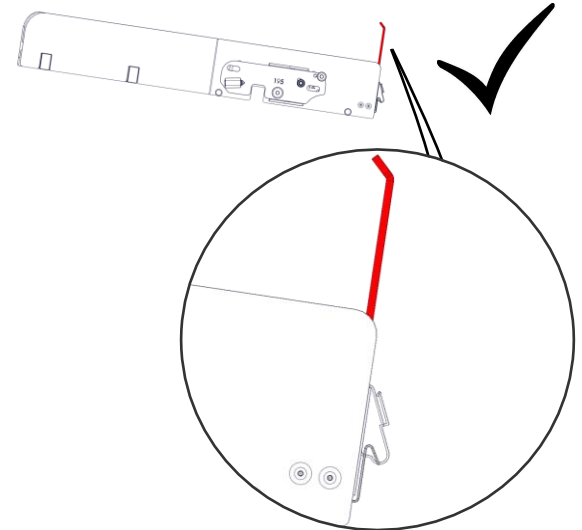
Plastic part of Adjustable Shelf  
Art. NO 0195-62001-0

Price Ticket LSR39 coS  
Art. NO 0195-32003-0

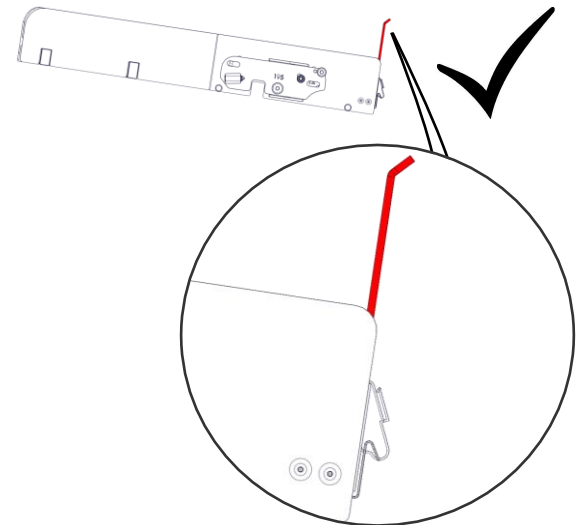
Frontstopper Hight 113 mm  
Art. NO 0195-1140-113



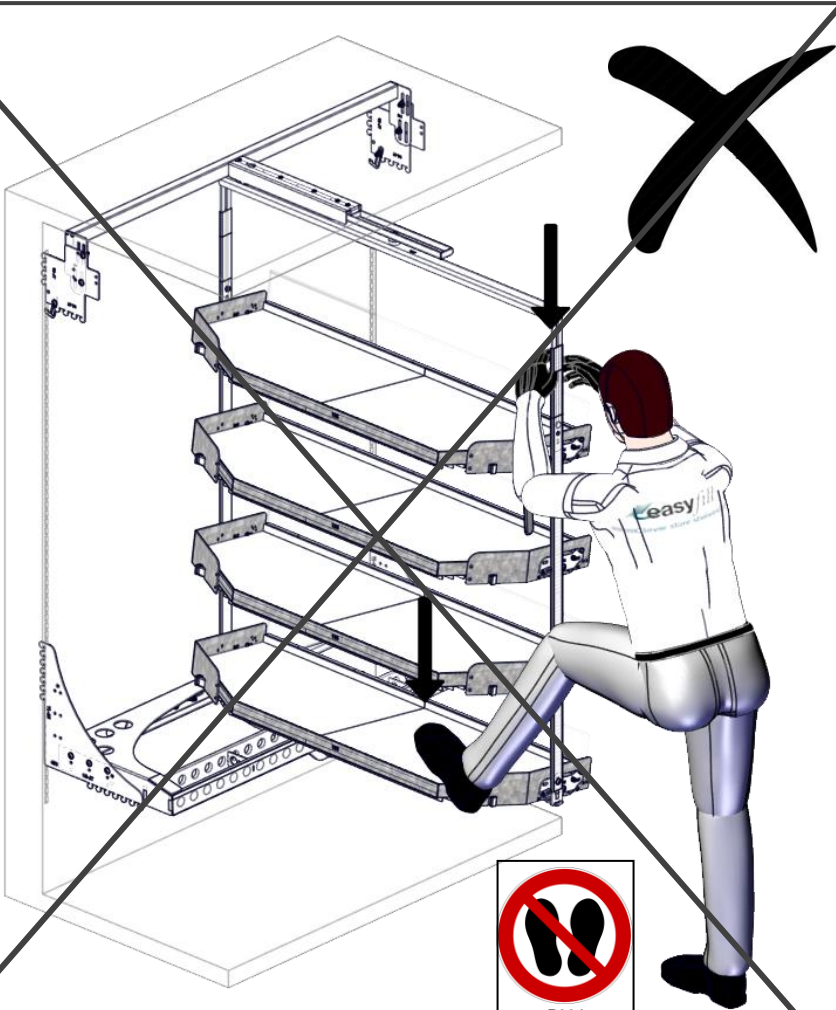
variant 1



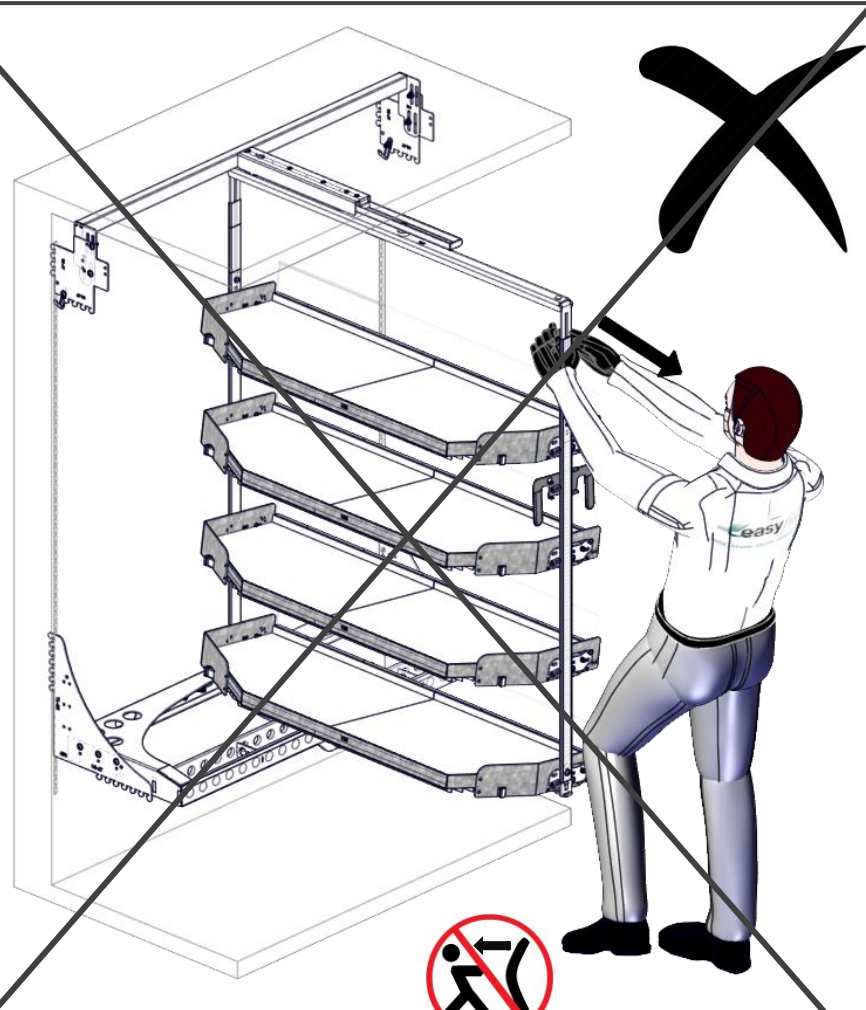
variant 2



# ! WARNING !

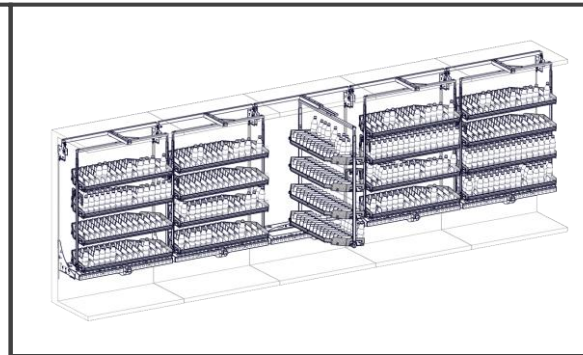
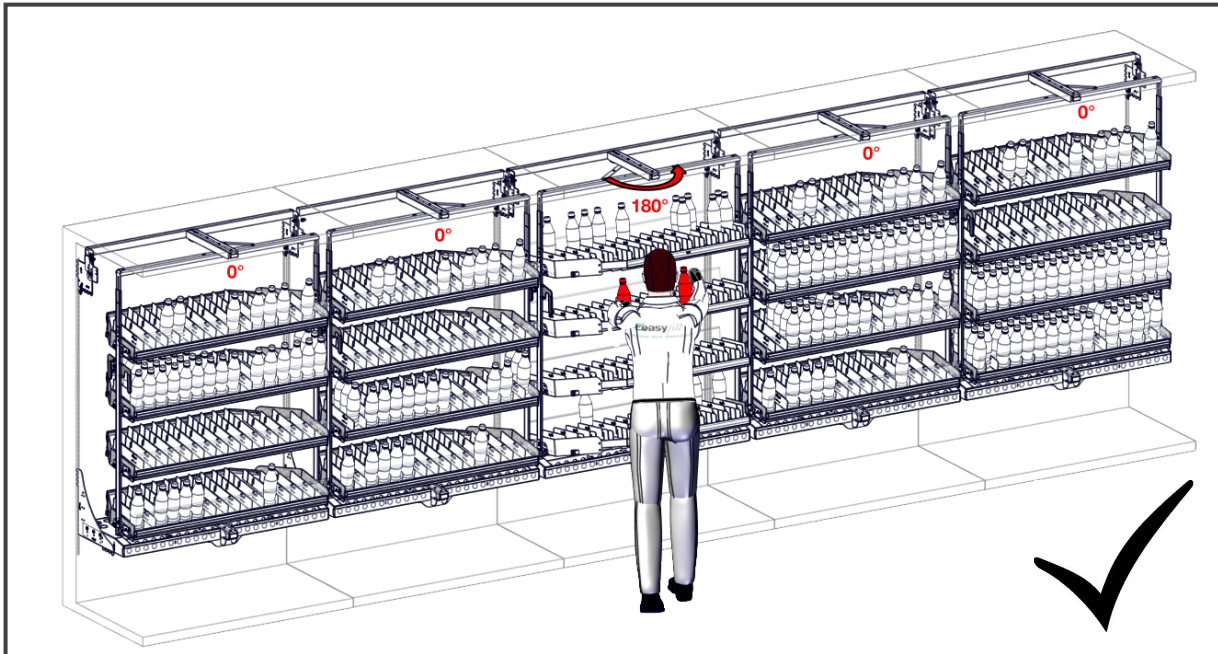
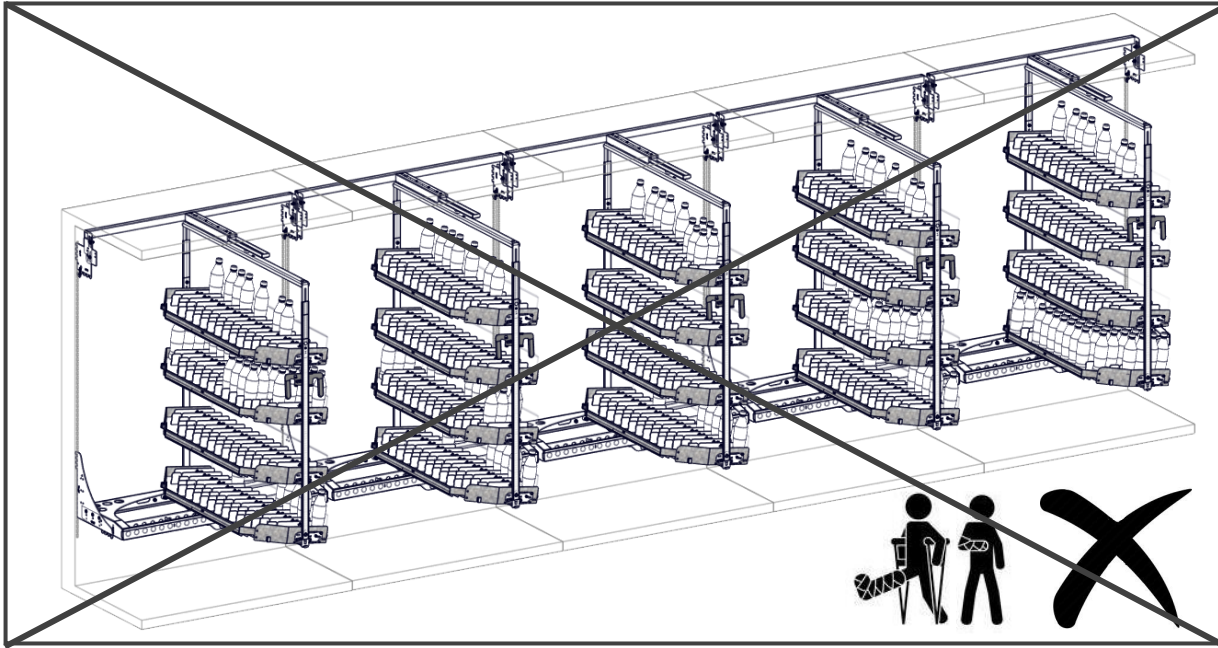


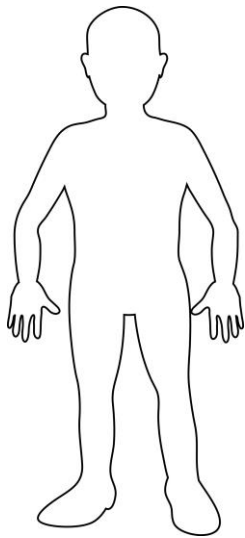
P024  
Do not walk  
or stand here





# ! WARNING !

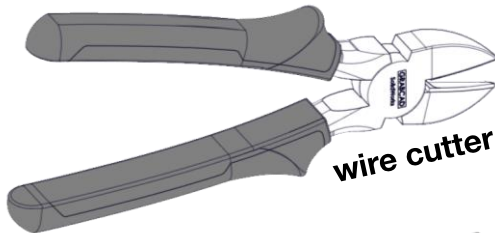




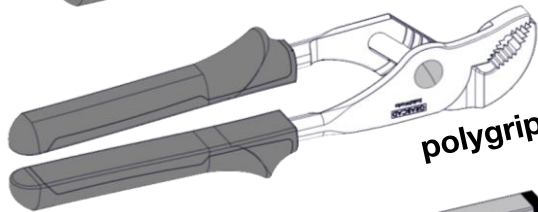
allen key 5



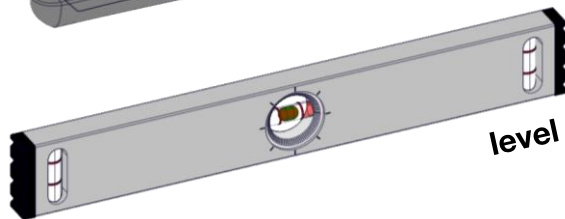
wrench 13



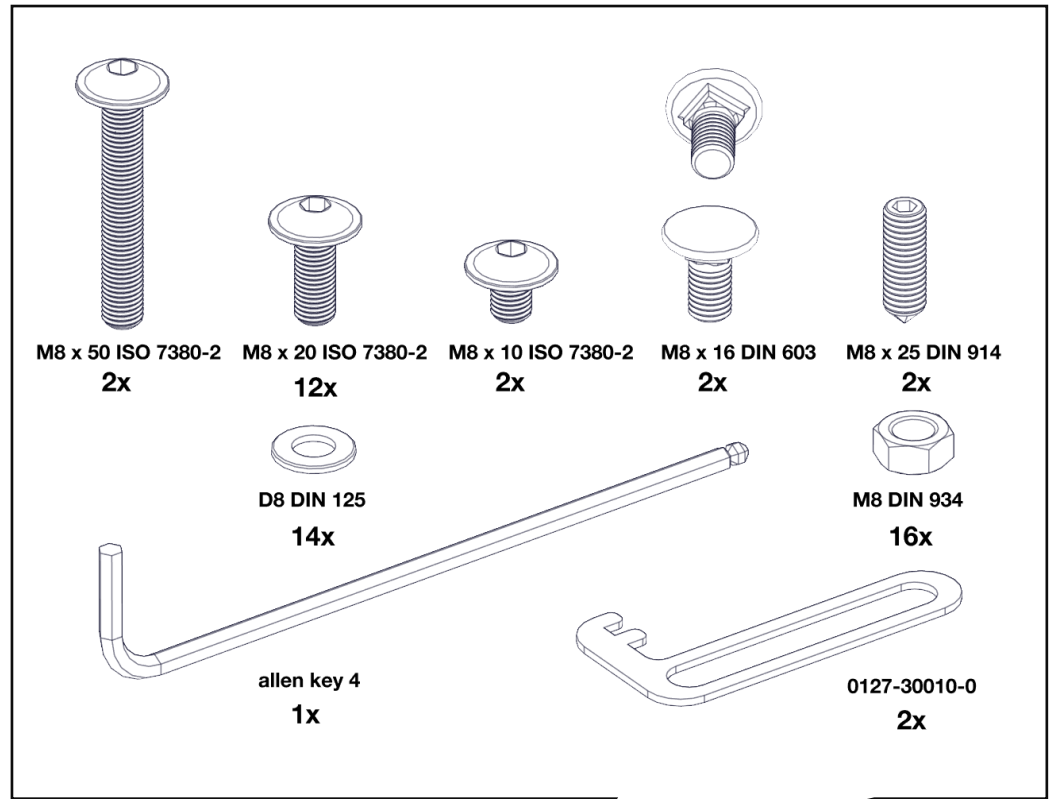
wire cutter



polygrip

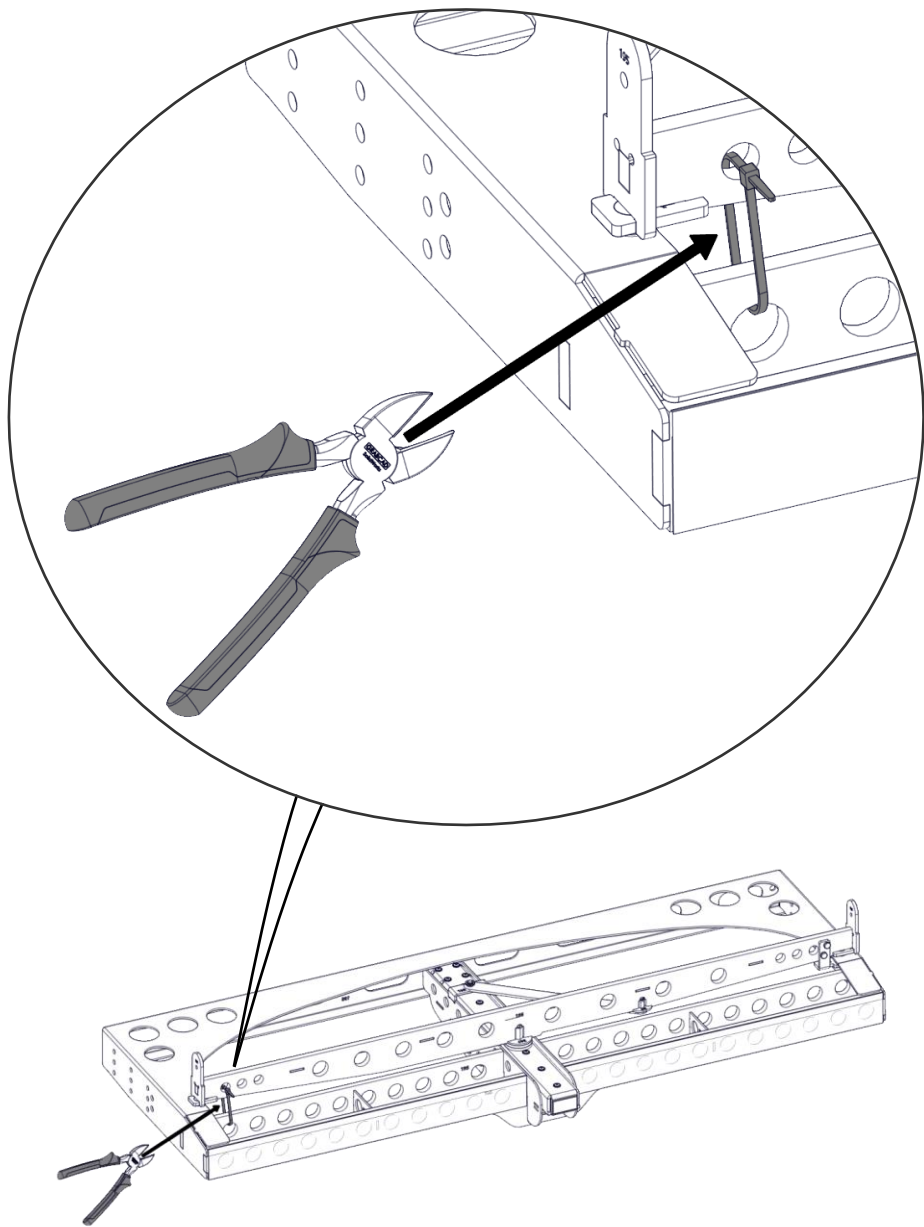


level

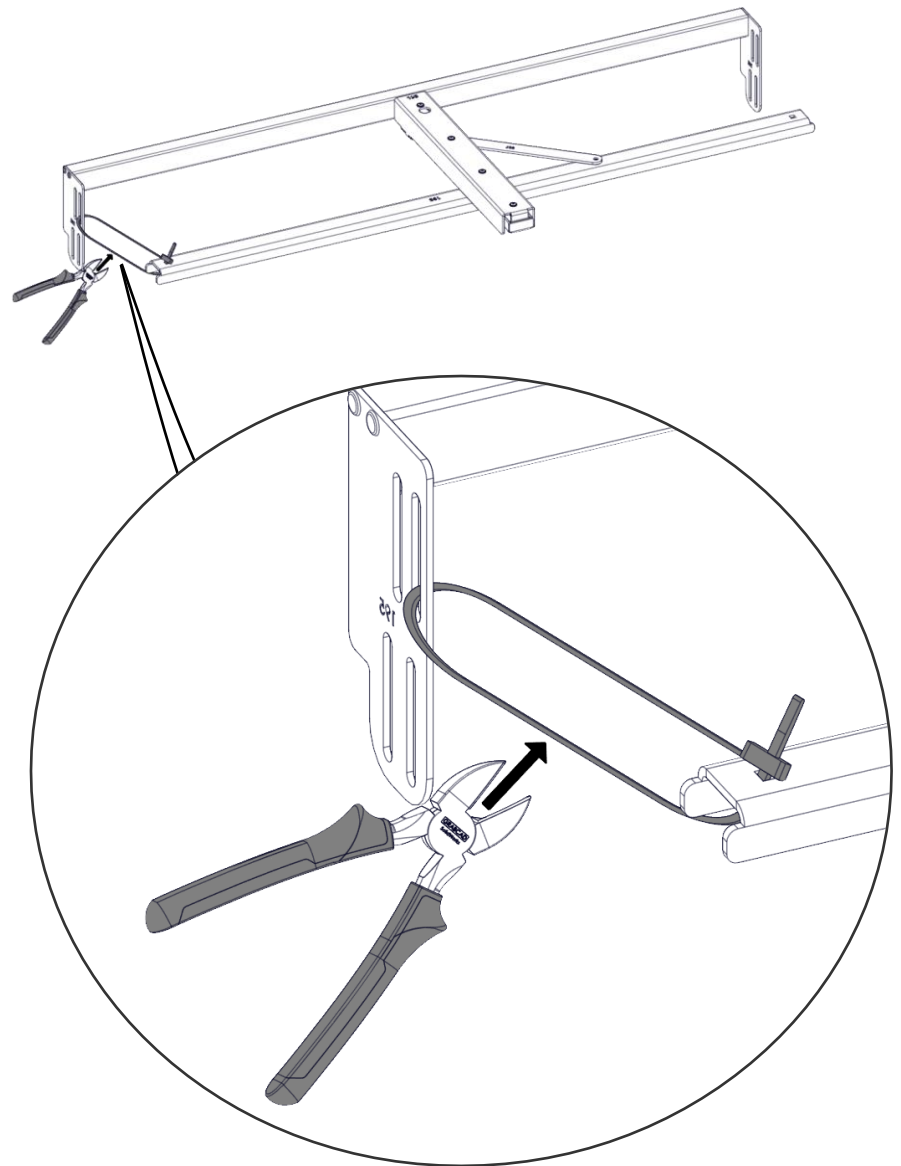


0195-70000-0

Art.No. 0195-10000-0

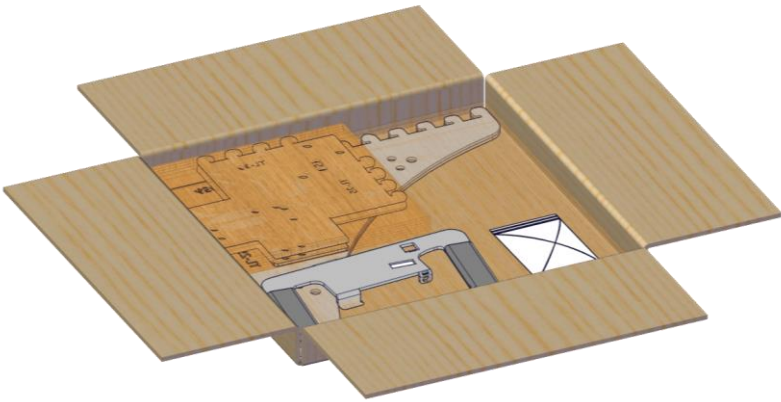


Art.No. 0195-20000-0

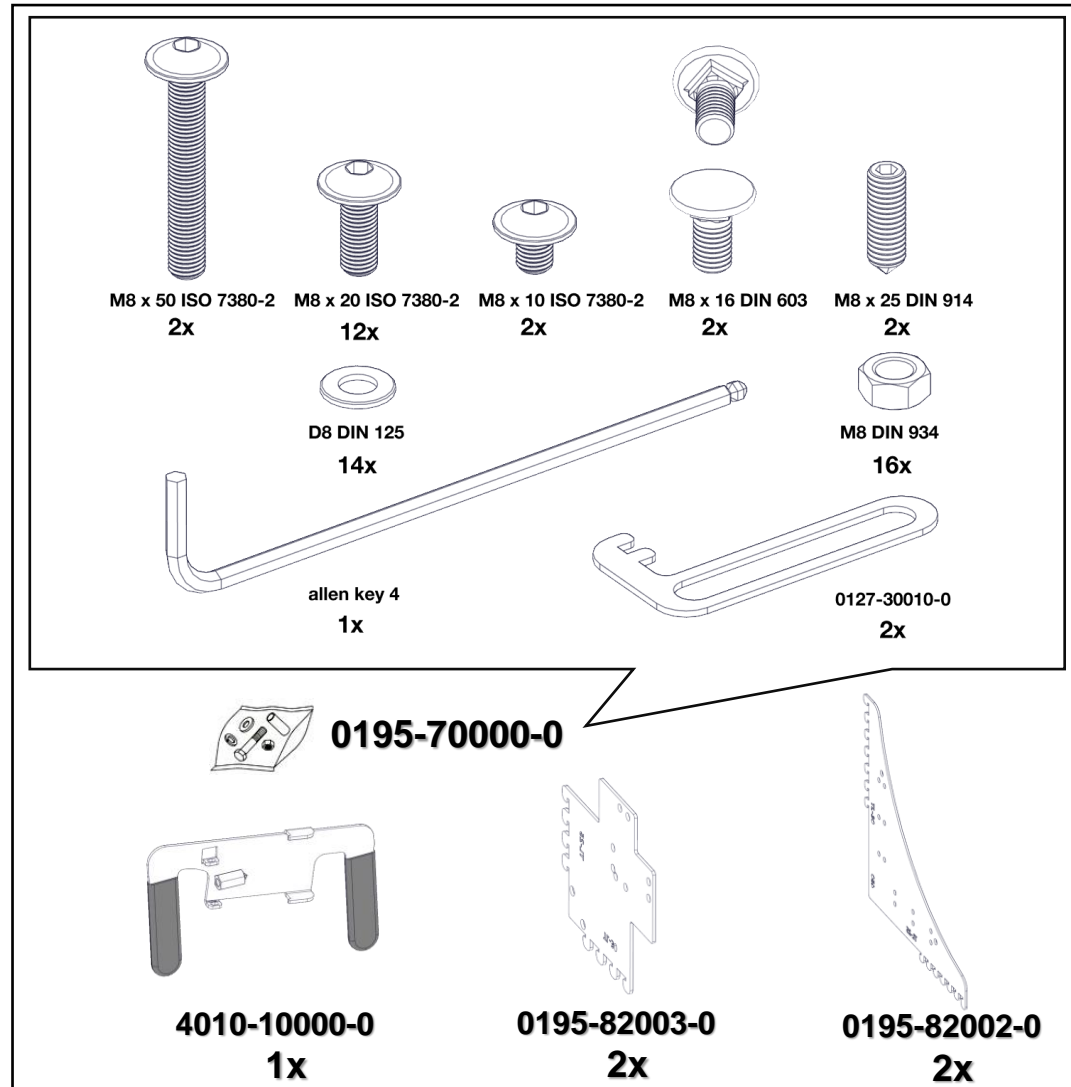


# Installation brackets

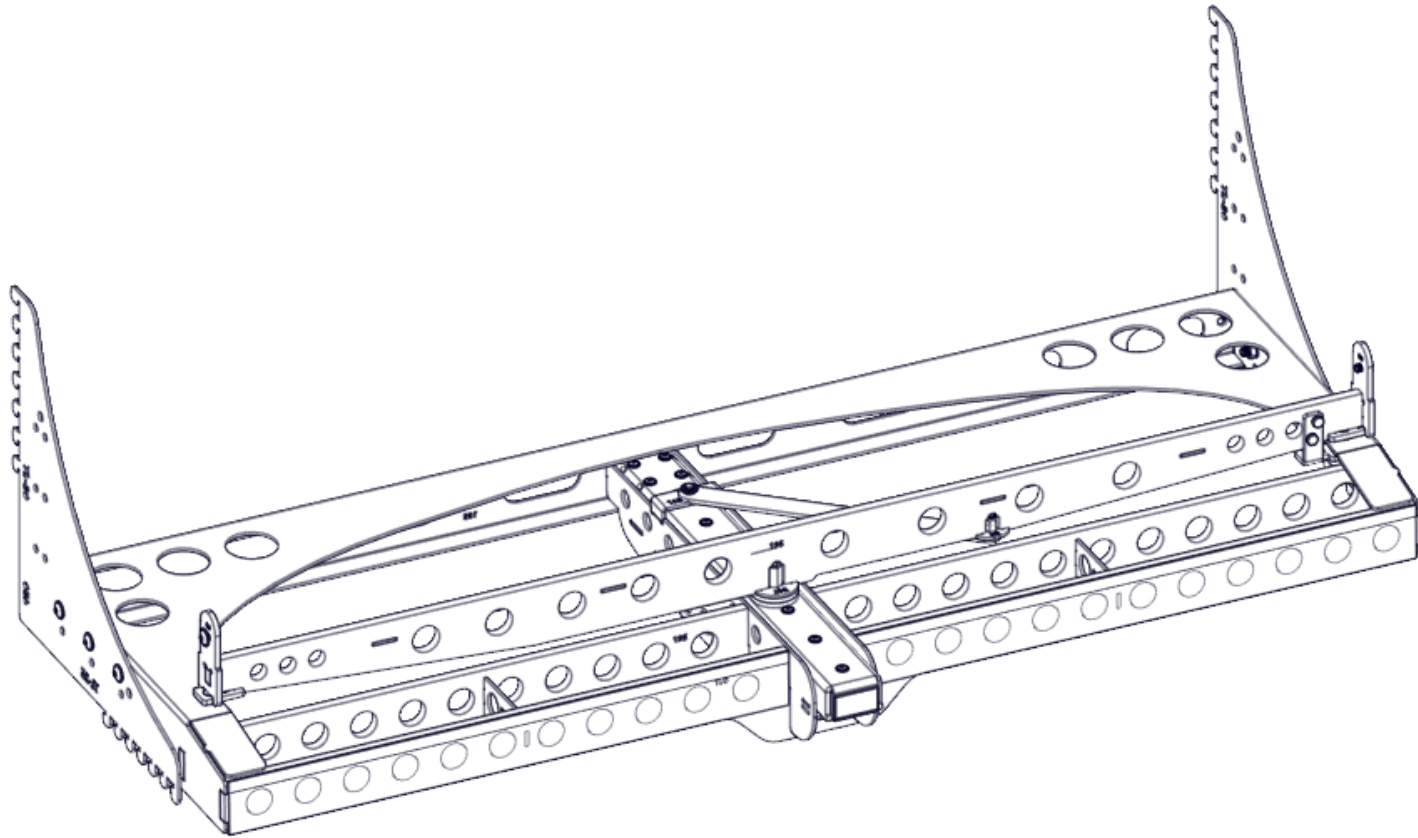
## Art.No. 0195-450-2530



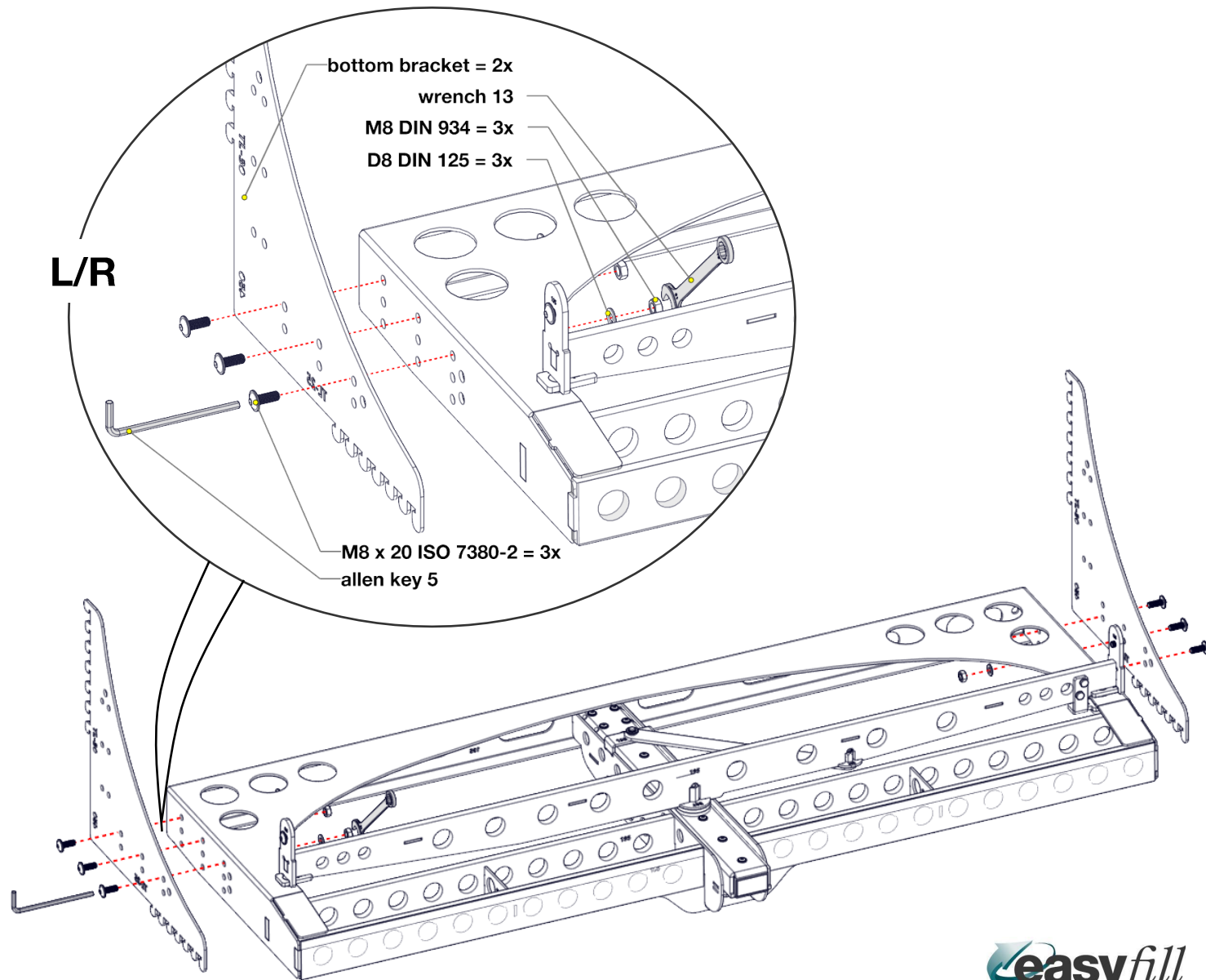
- connecting material for frame,
- handle for frame ,
- brackets 25/30



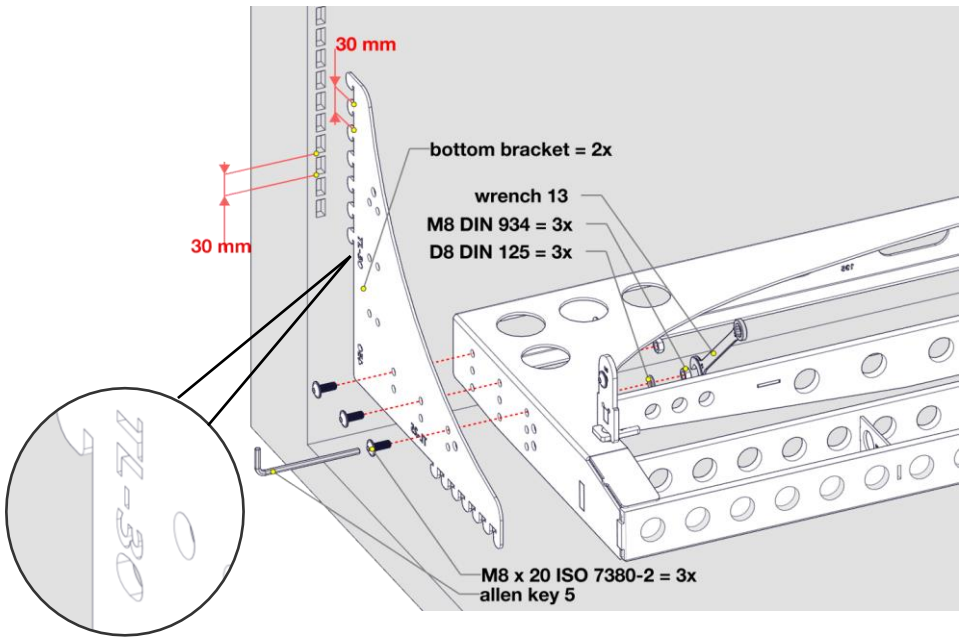
# Installation of bottom part Art.No. 0195-10000-0 + bottom brackets



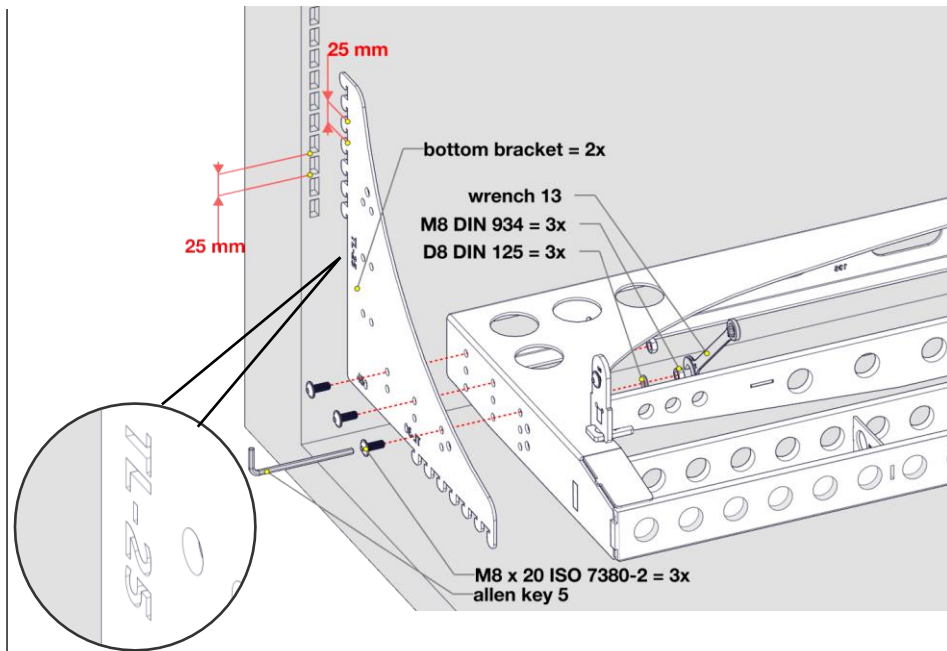
# Art.No. 0195-10000-0 + bottom brackets



# Art.No. 0195-10000-0 + bottom brackets

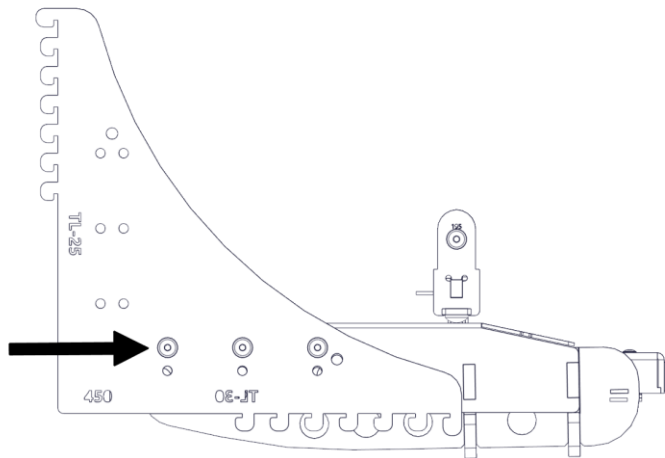


brackets 30 - bottom L/R

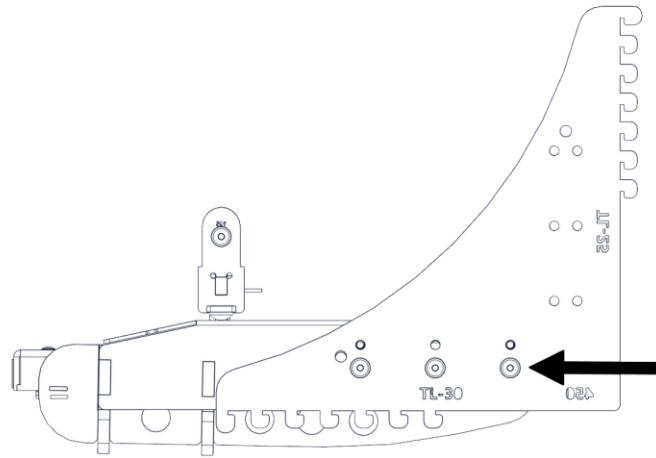


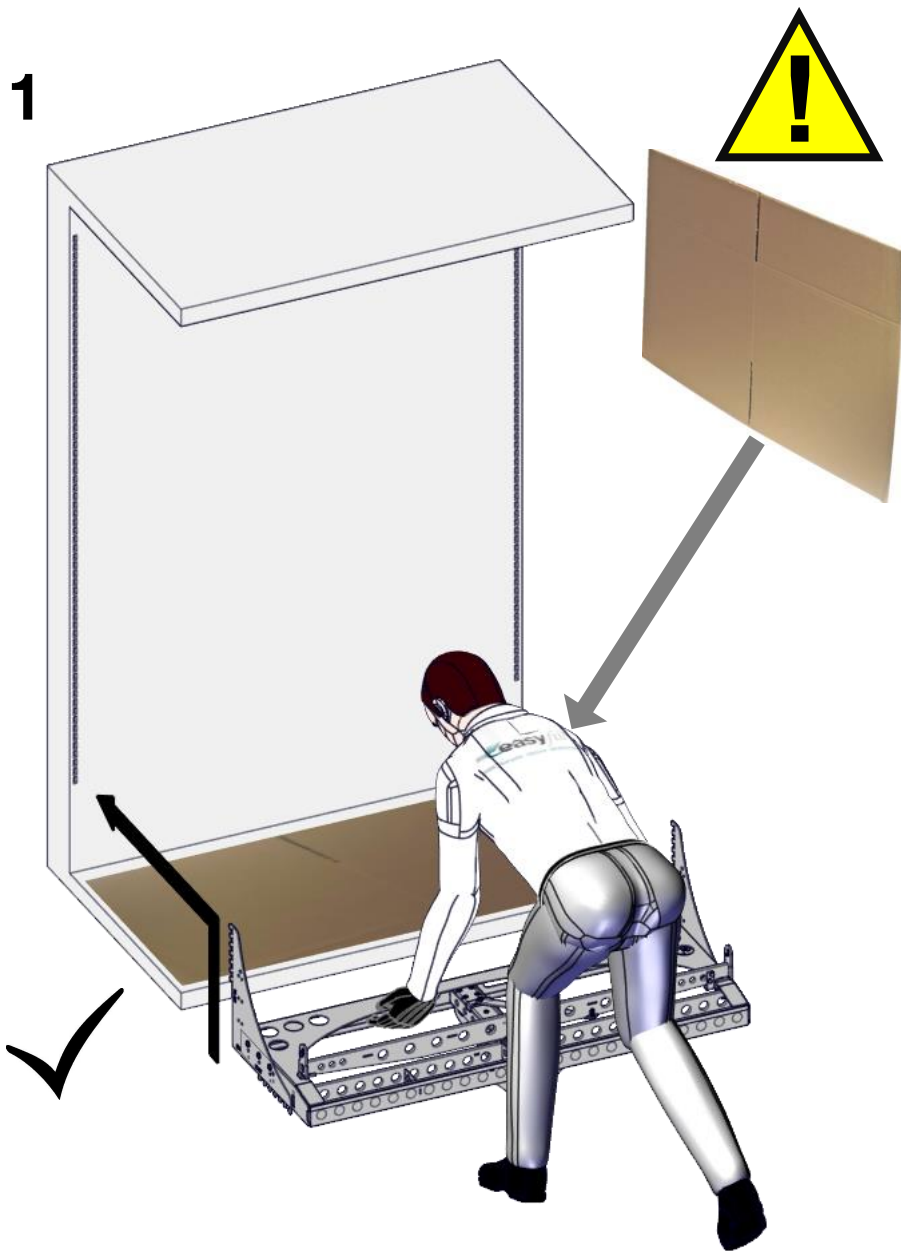
brackets 25 - bottom L/R

Left

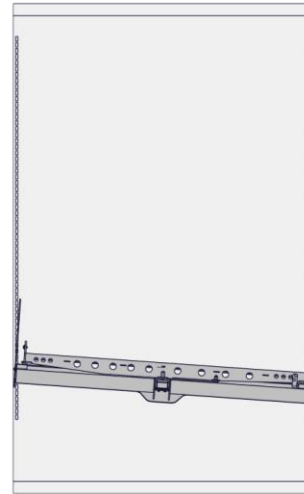


Right

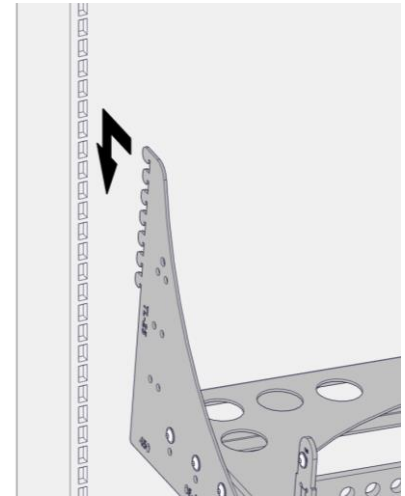




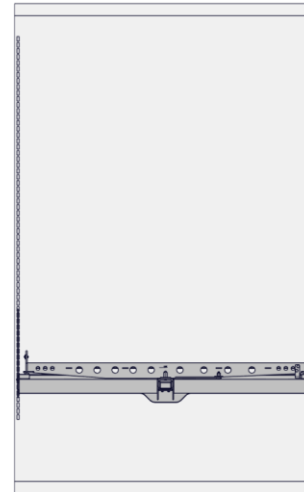
**1a**



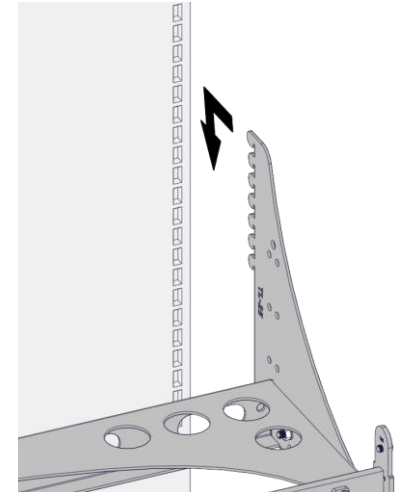
**1b**



**1c**

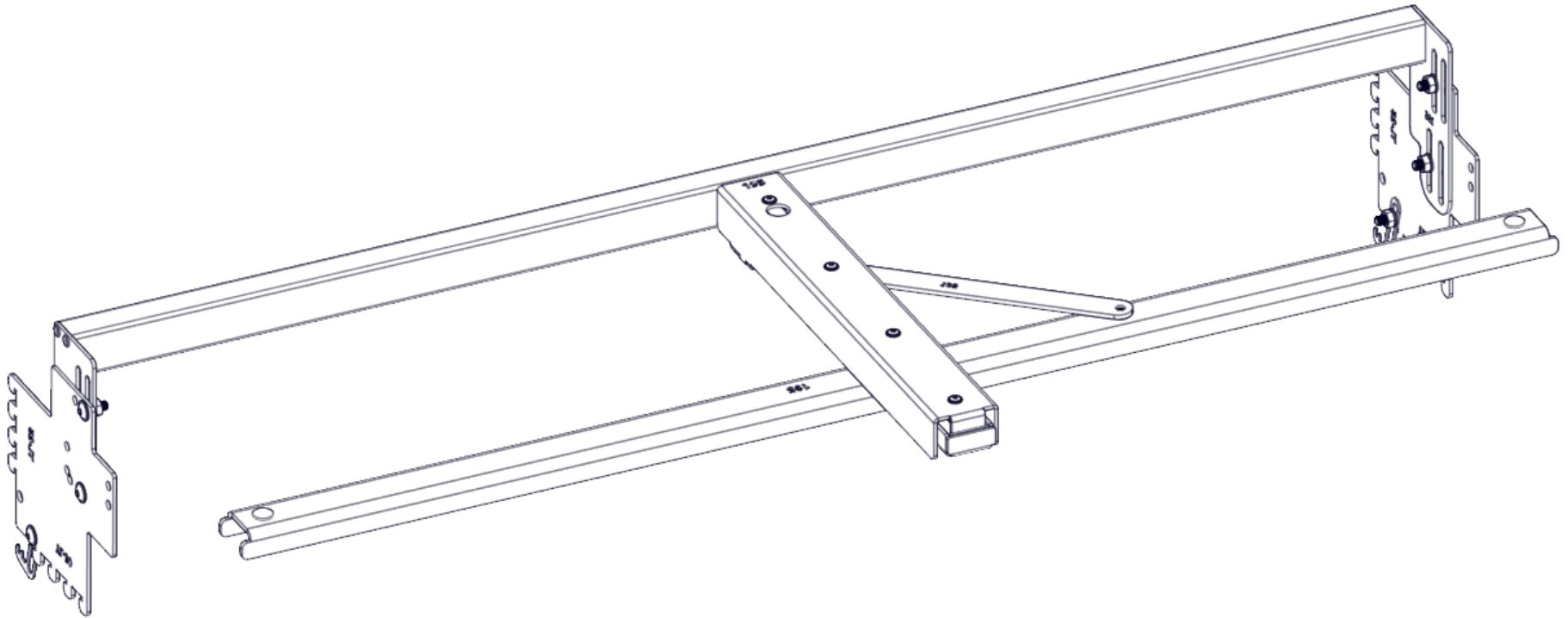


**1d**

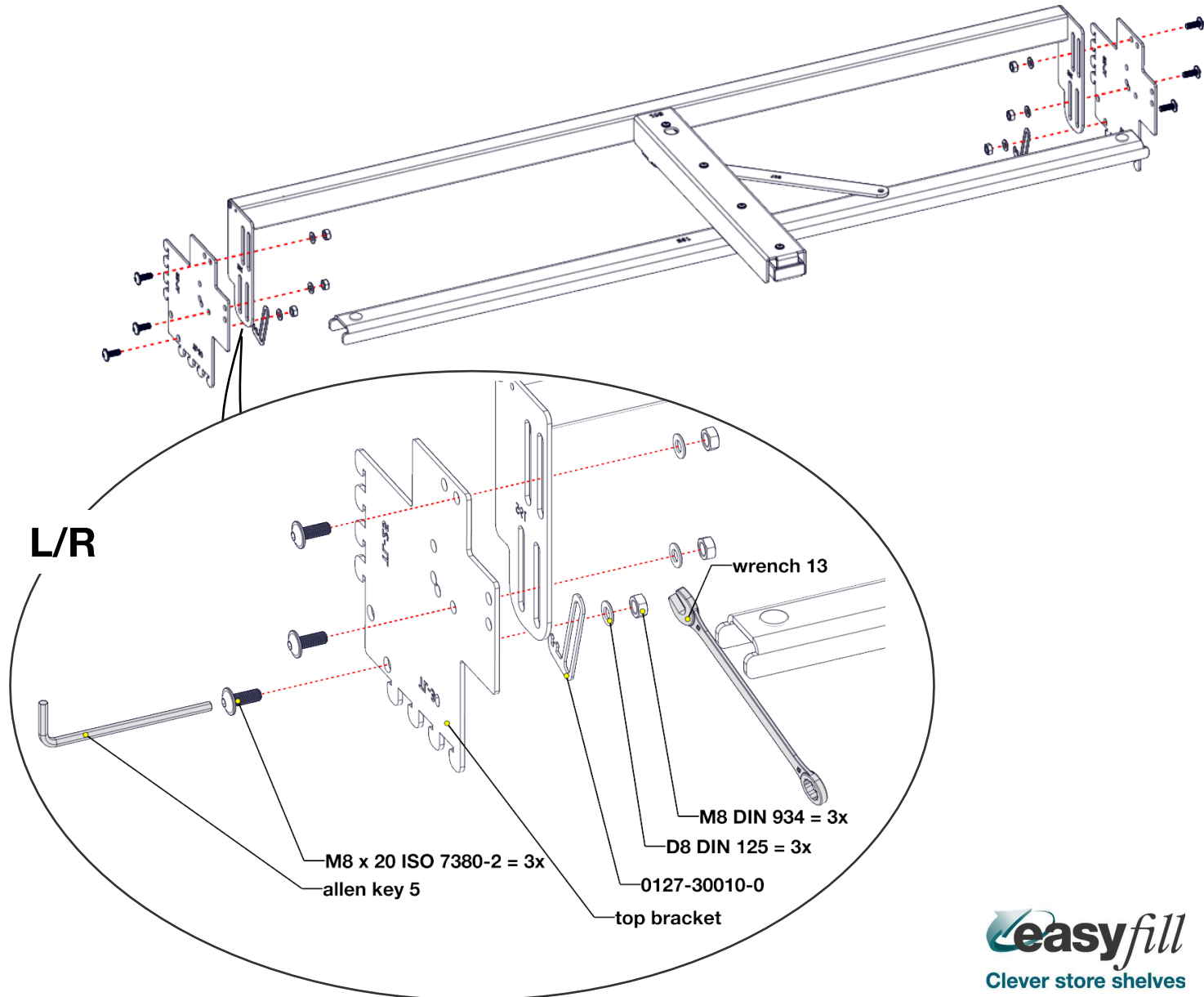




# Installation of top part Art.No. 0195-20000-0 + top brackets

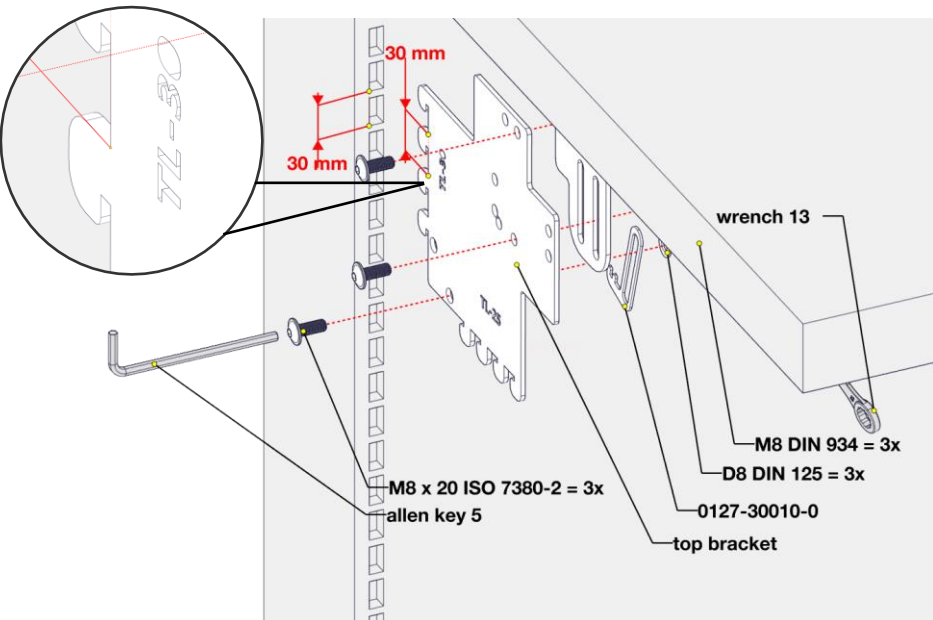


# Installation of top part Art.No. 0195-20000-0 + top brackets

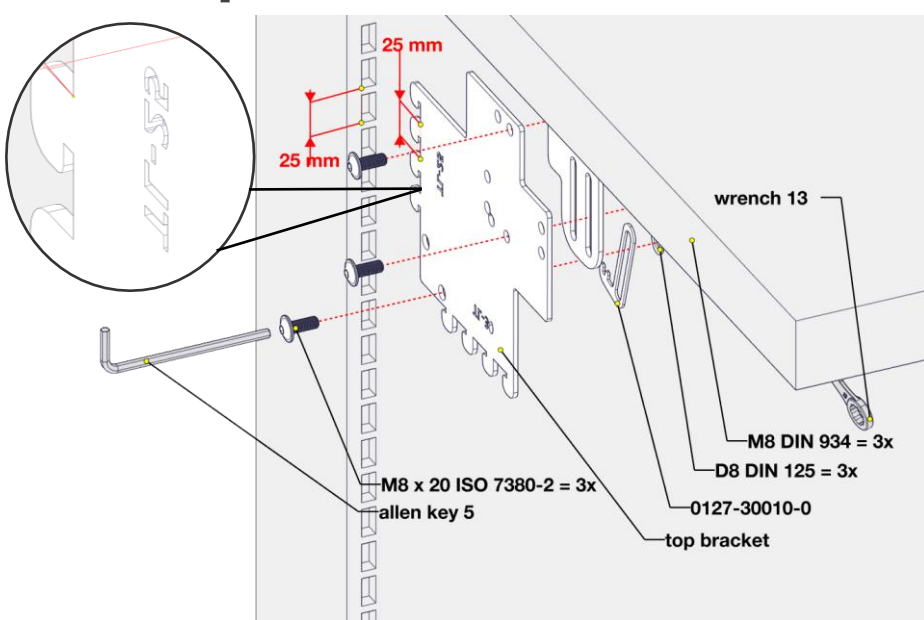


# Installation of top part

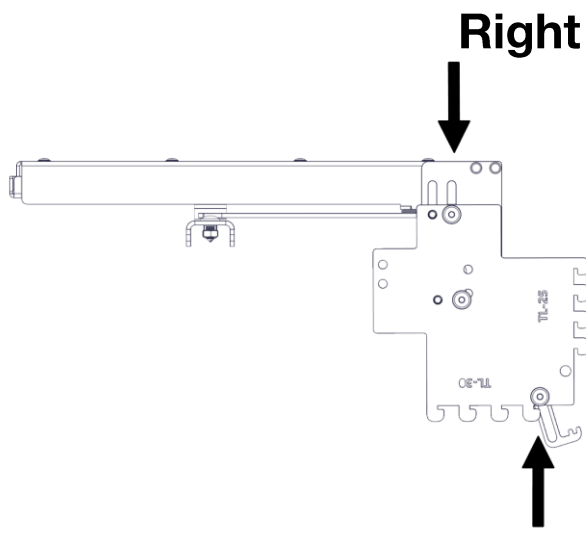
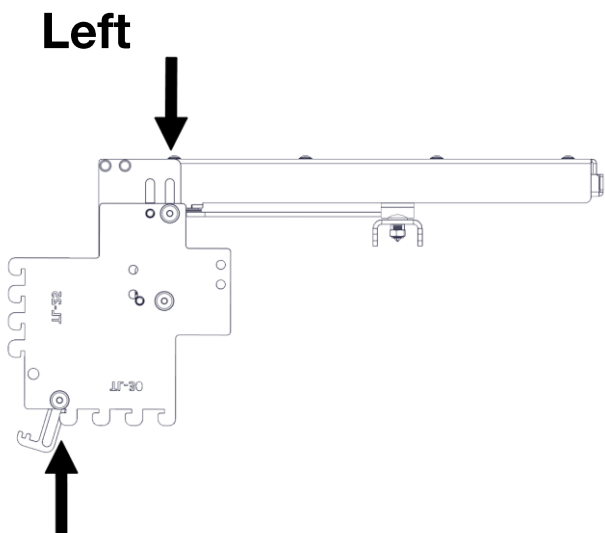
## Art.No. 0195-20000-0 + top brackets



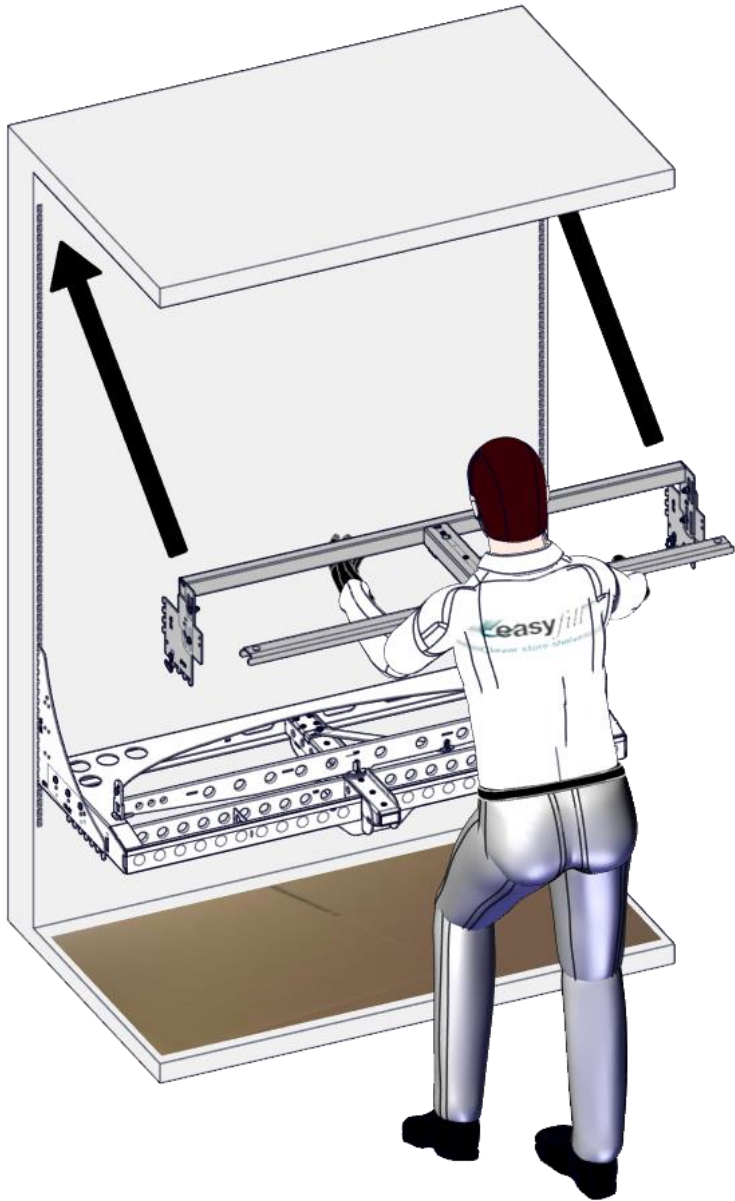
brackets 30 - top L/R



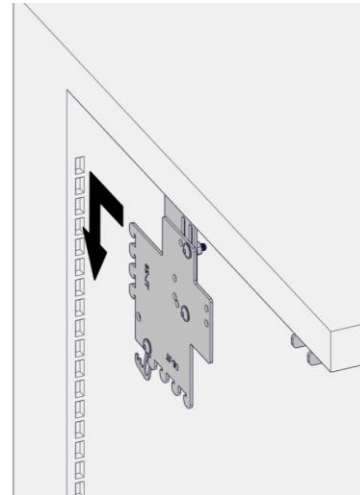
brackets 25 - top L/R



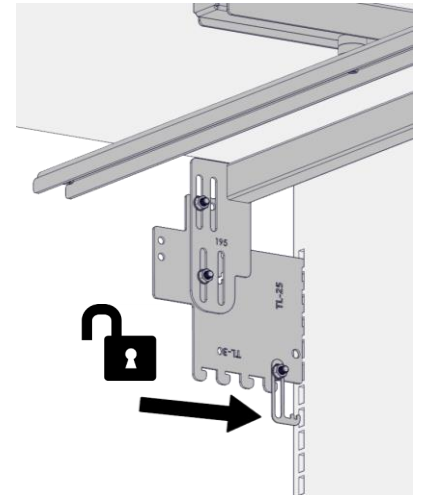
2



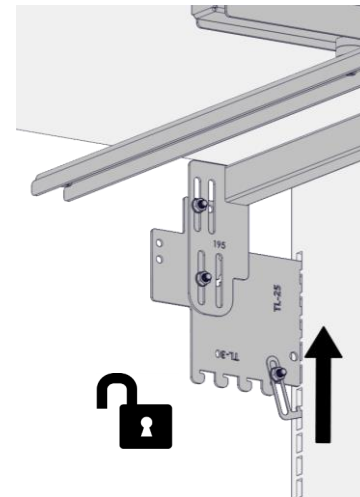
2a



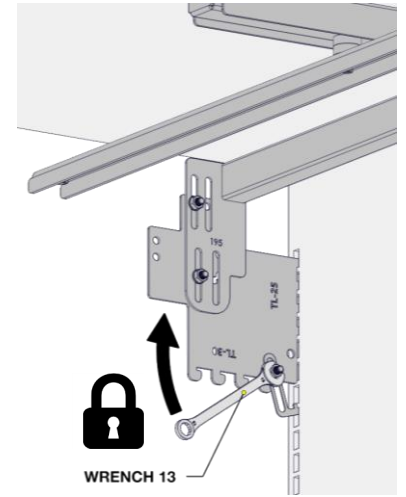
2b



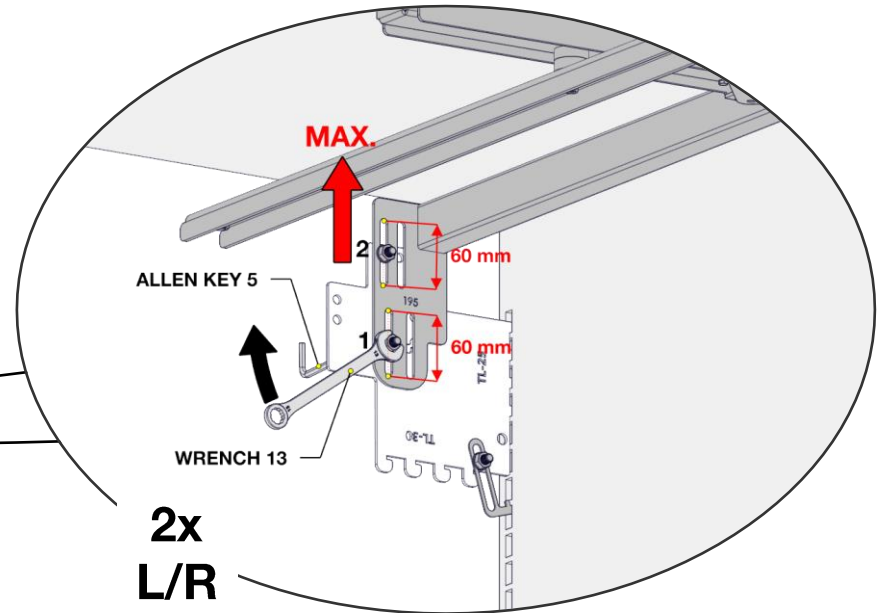
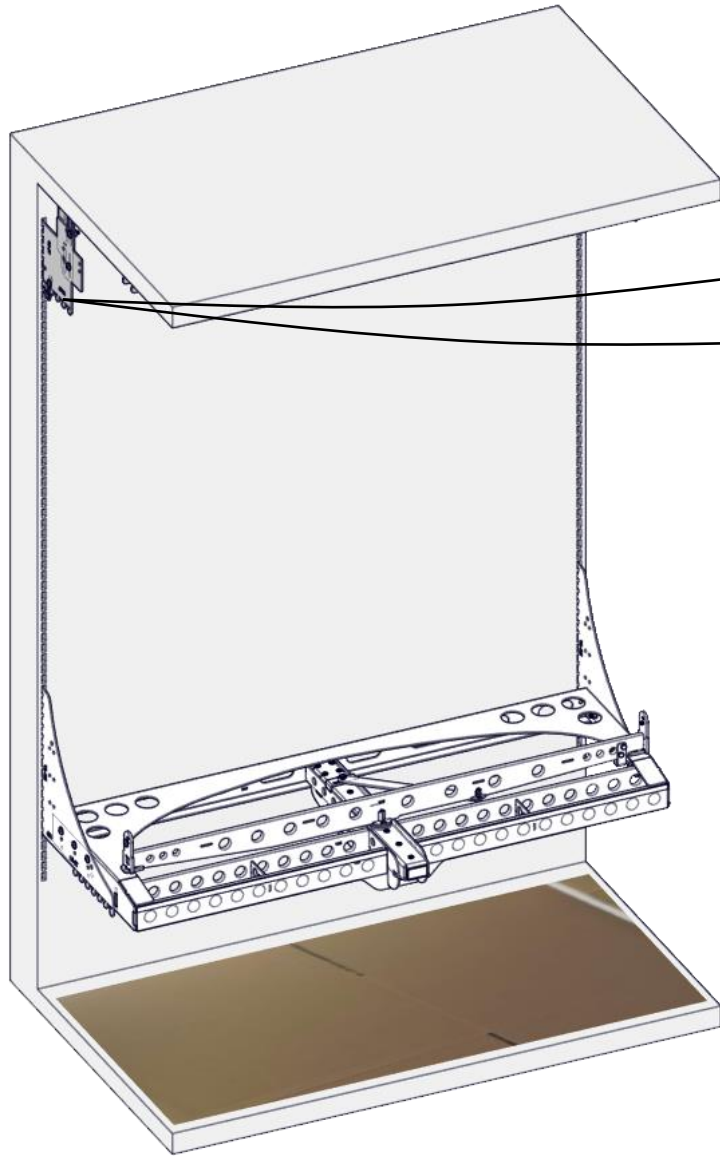
2c



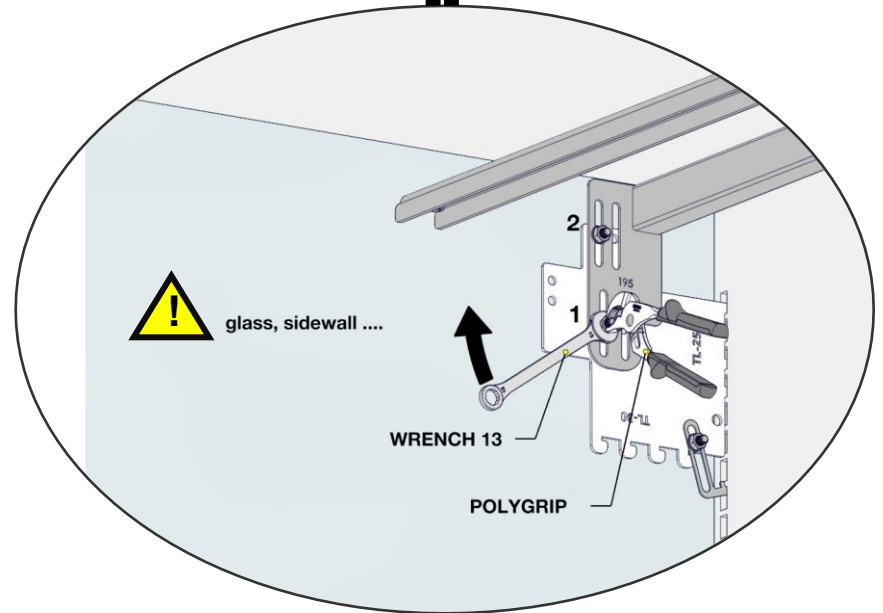
2d



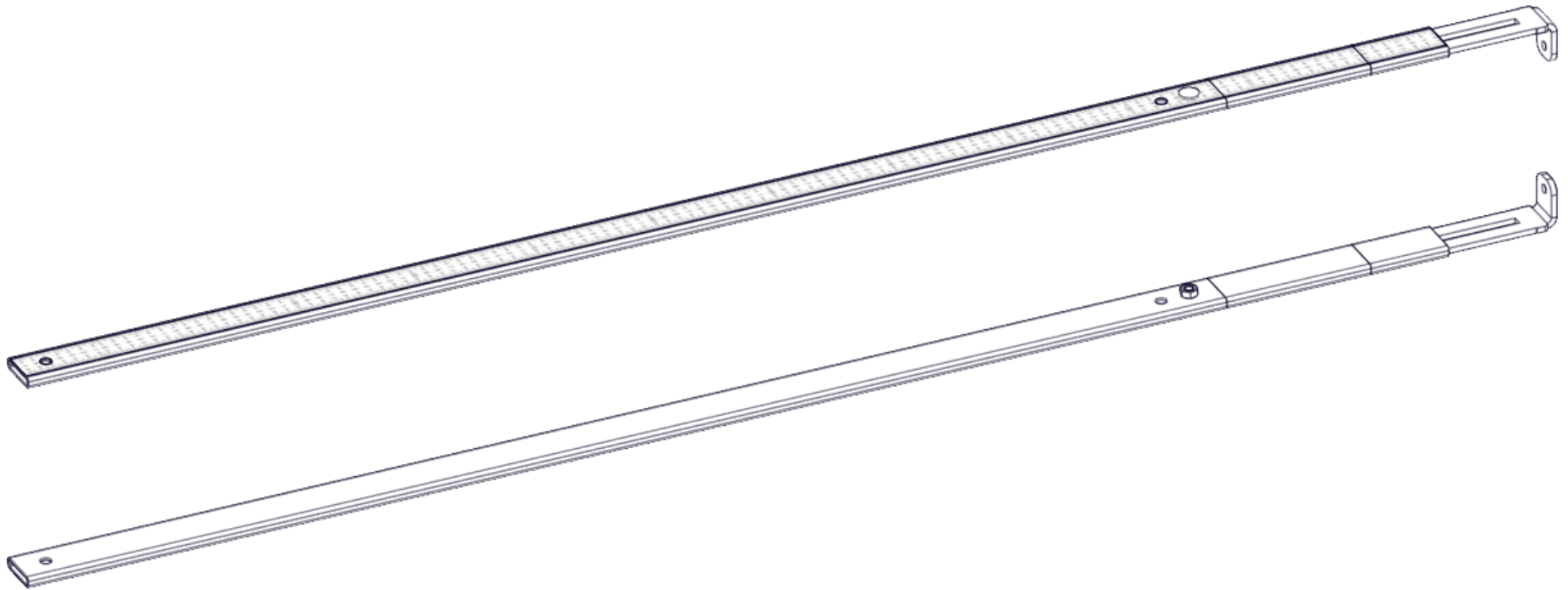
3



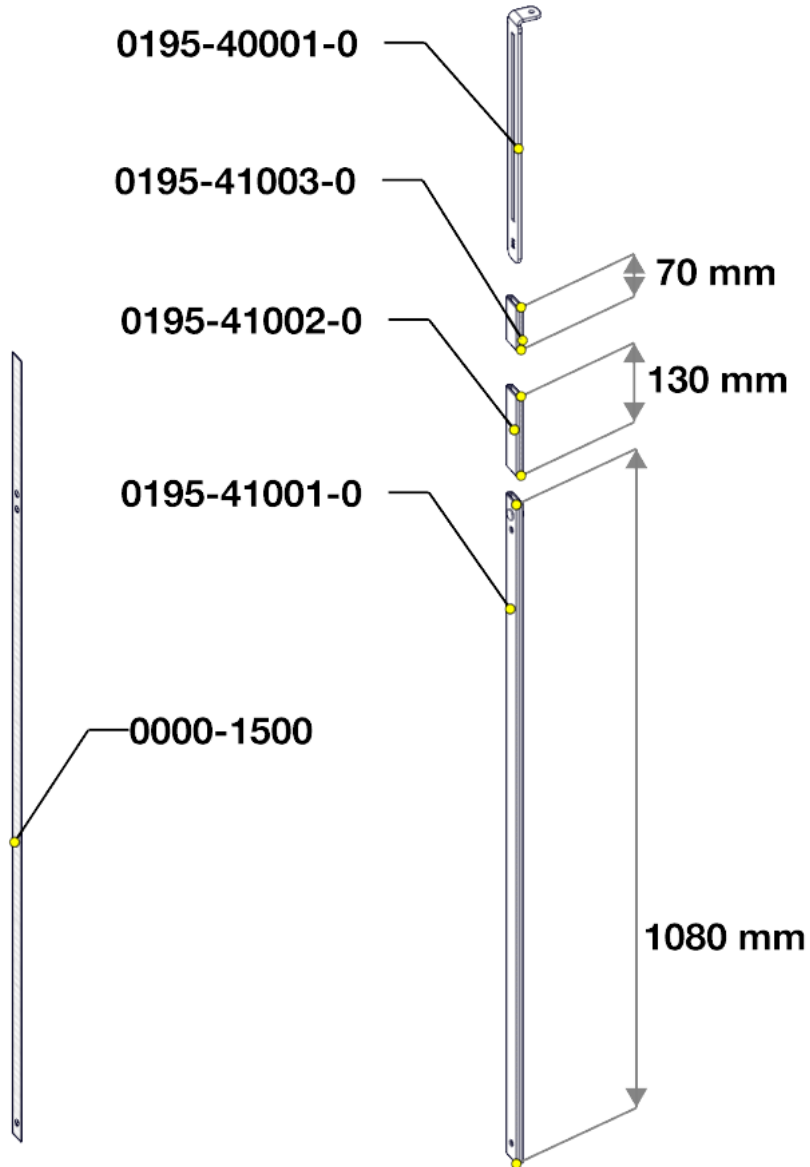
2x  
L/R



# Adjustable frame – 0195-40000-0

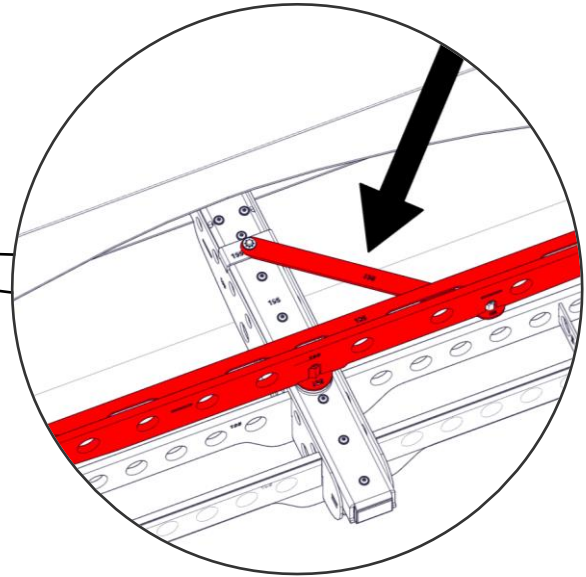
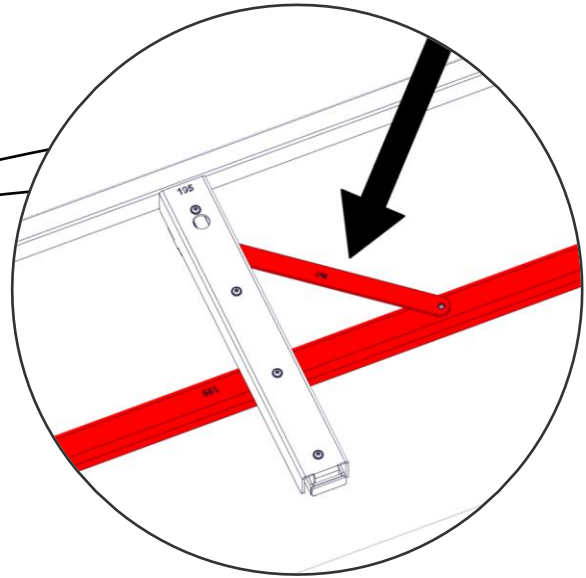
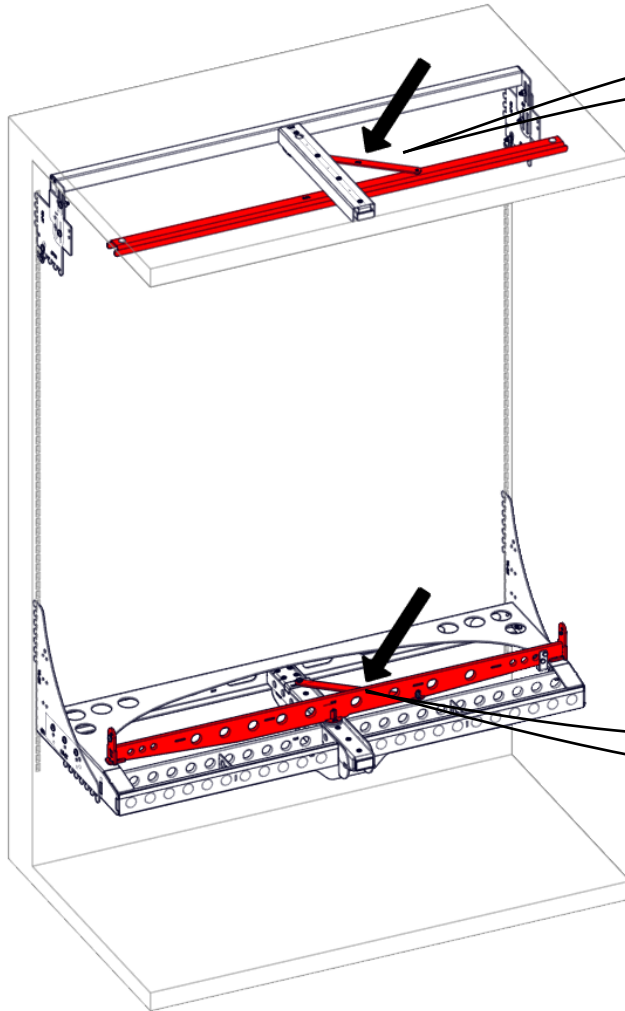


# Adjustable frame – 0195-40000-0



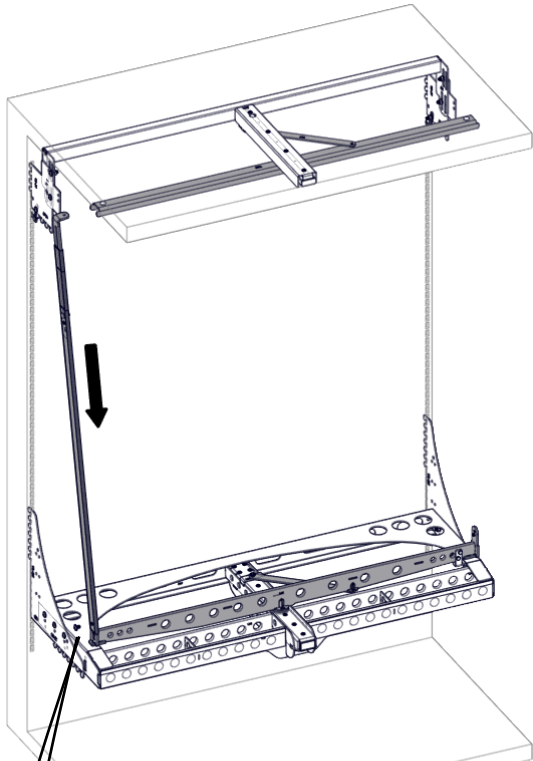
4

# Base position

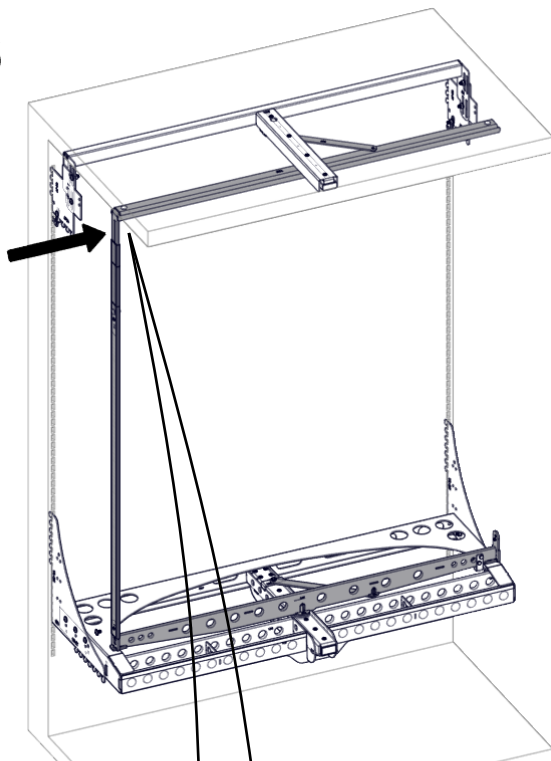




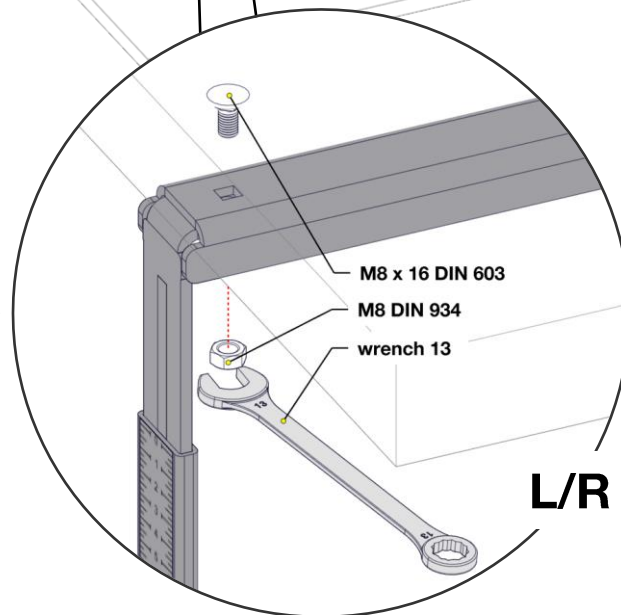
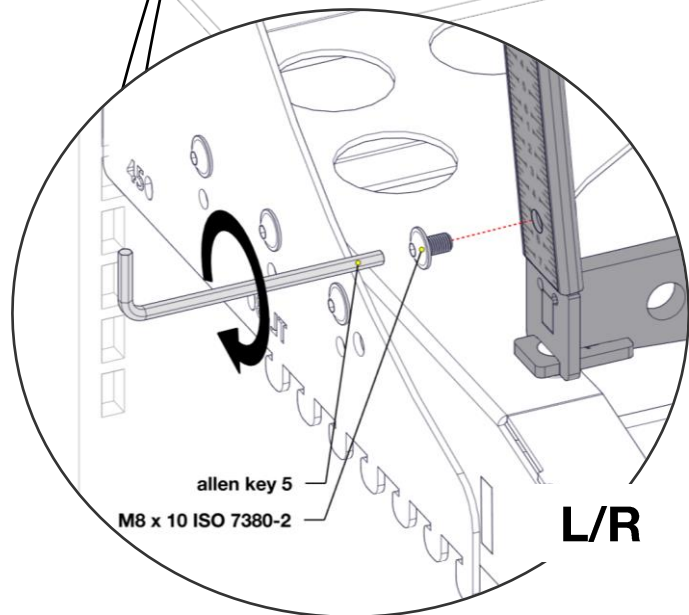
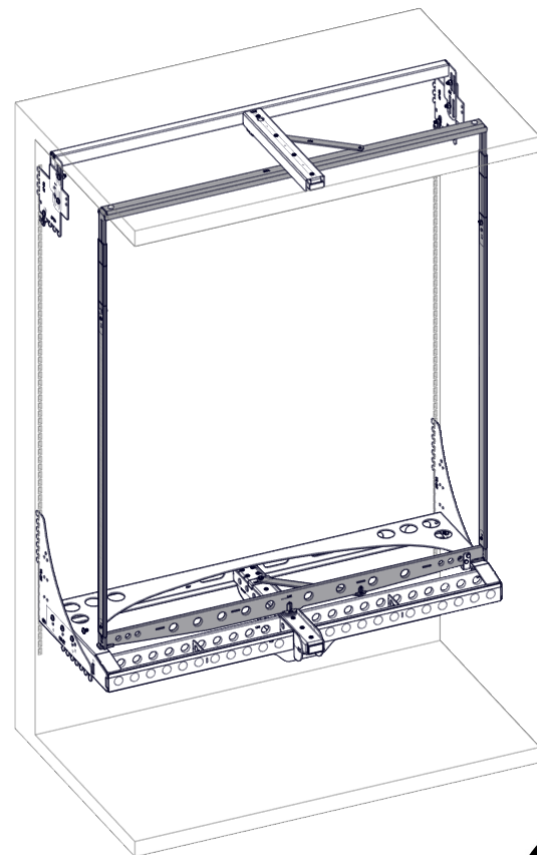
5



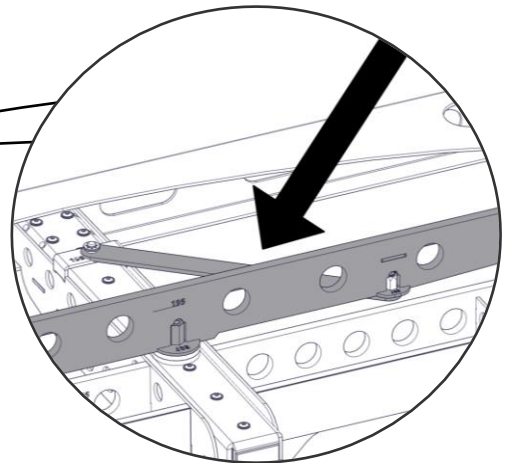
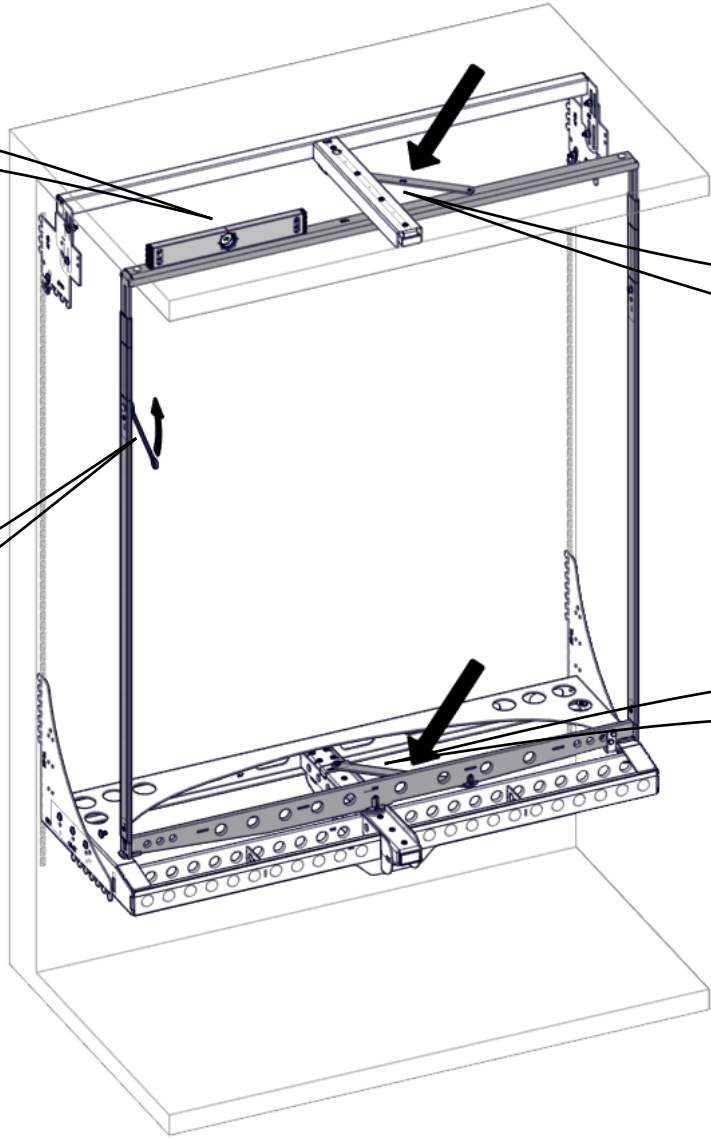
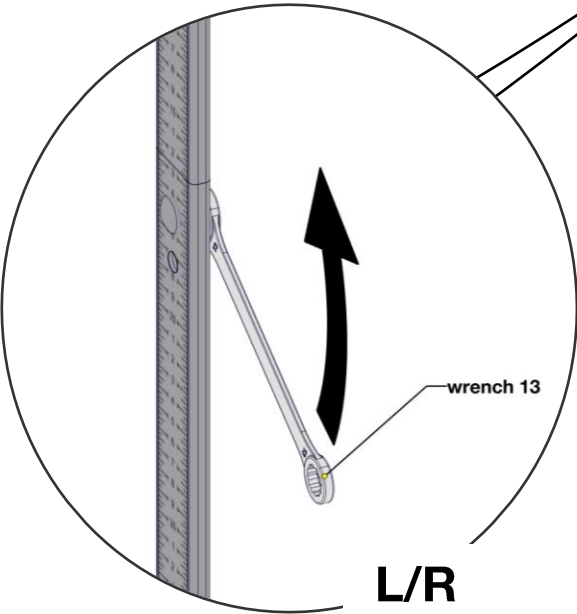
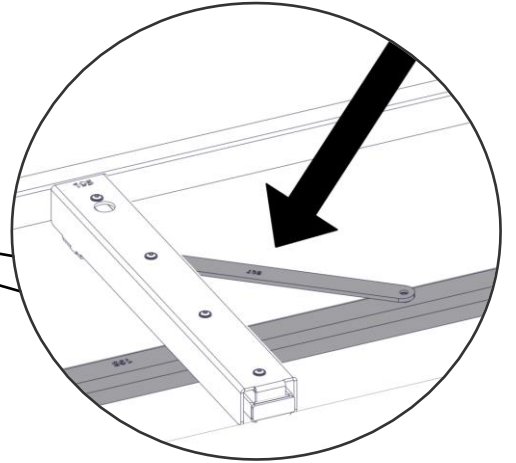
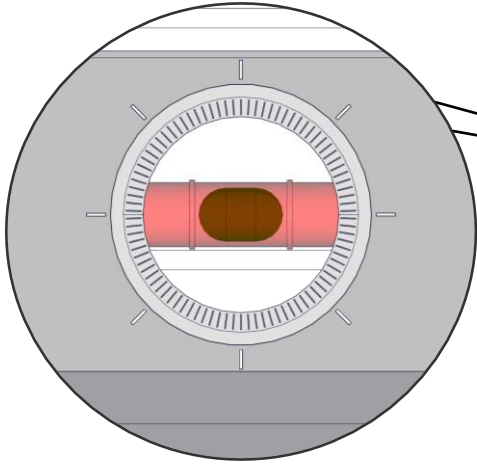
6



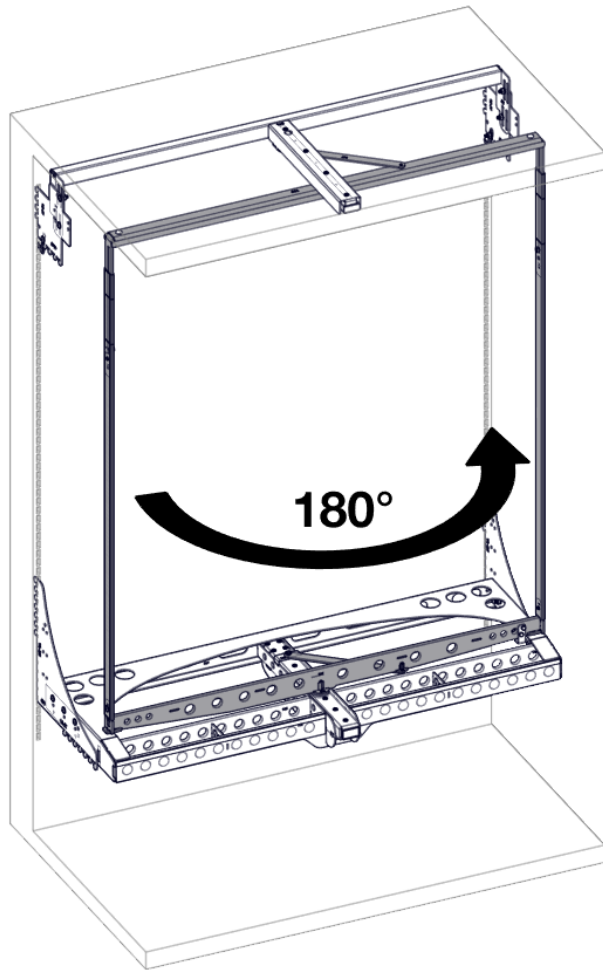
7



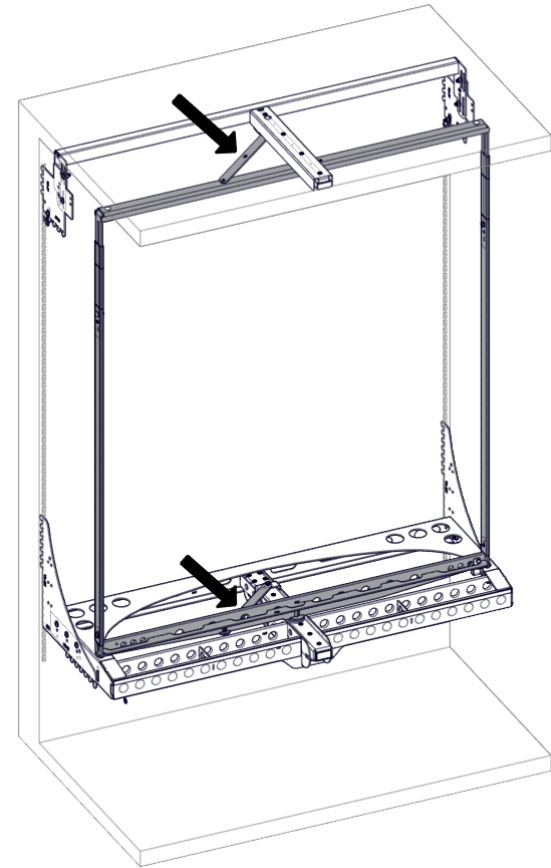
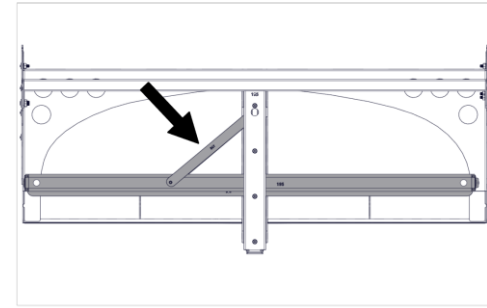
8

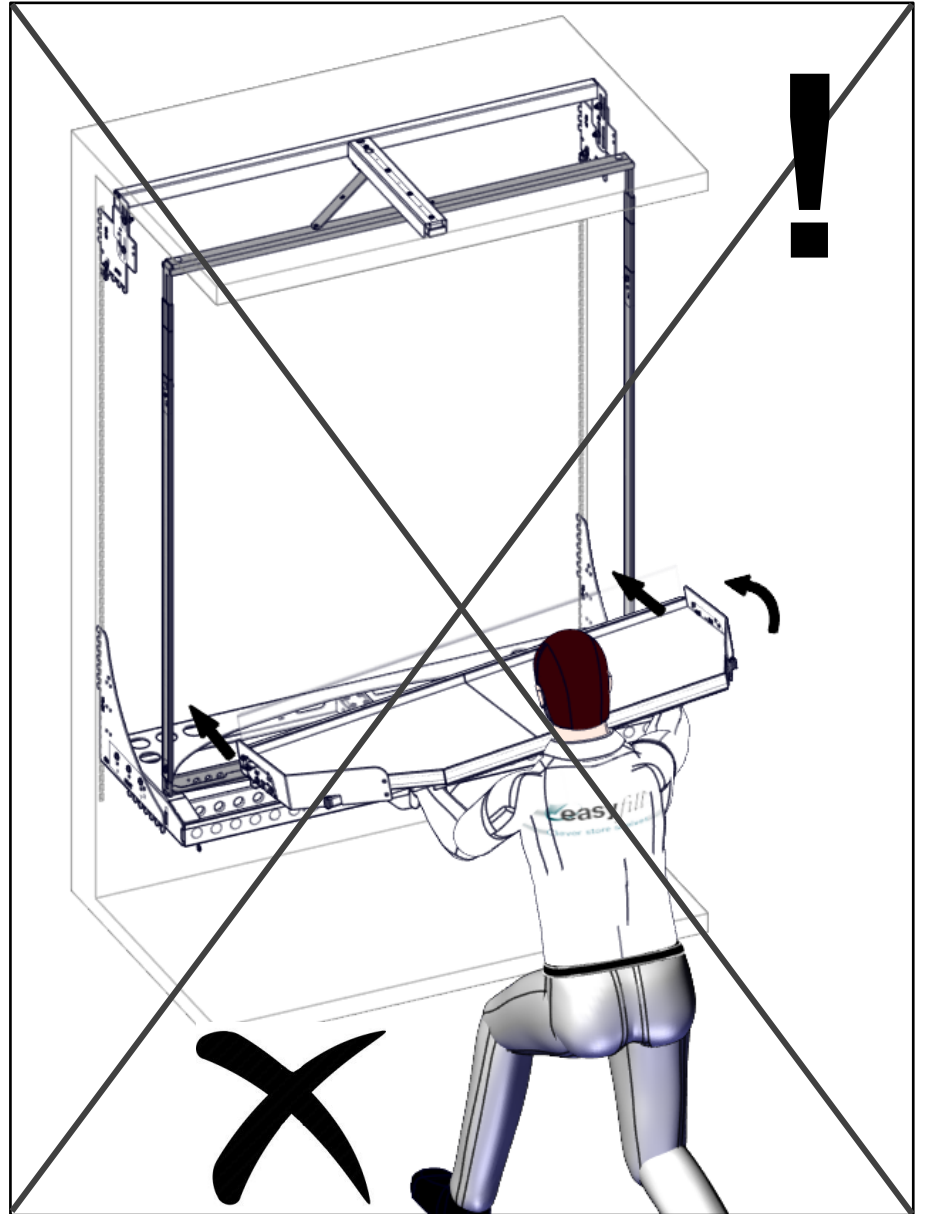
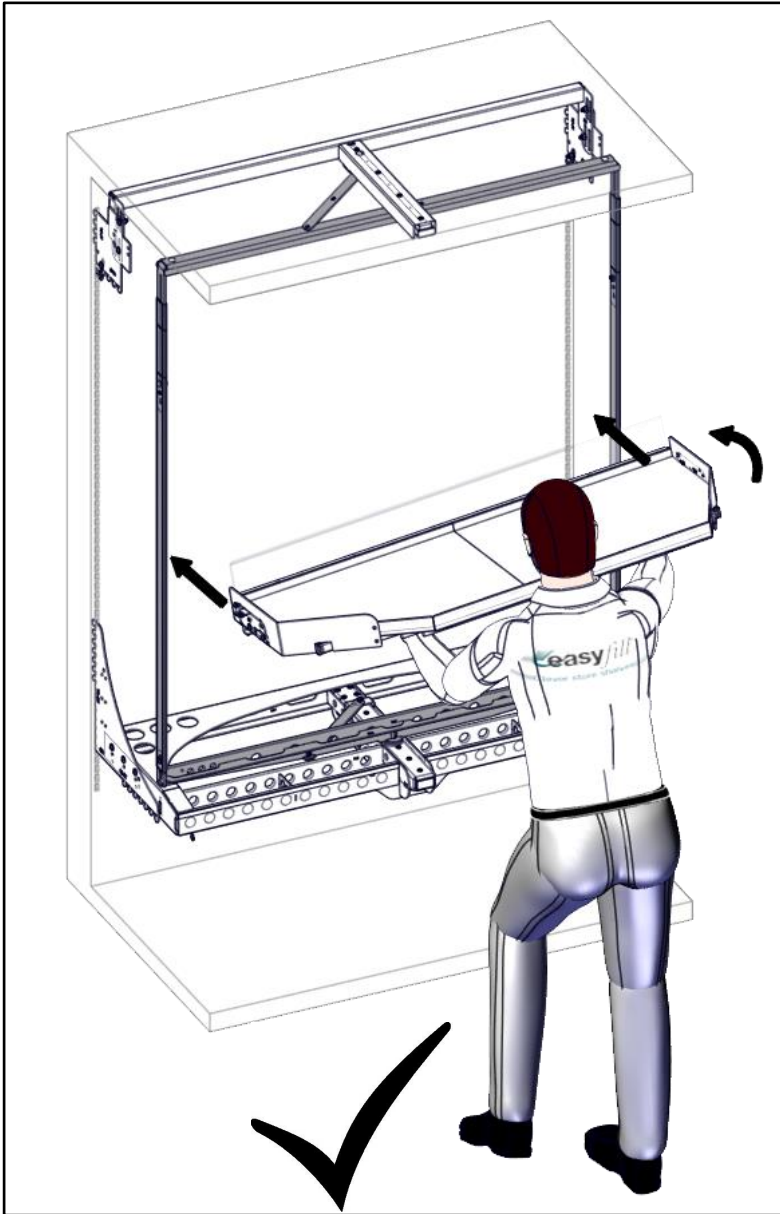


9

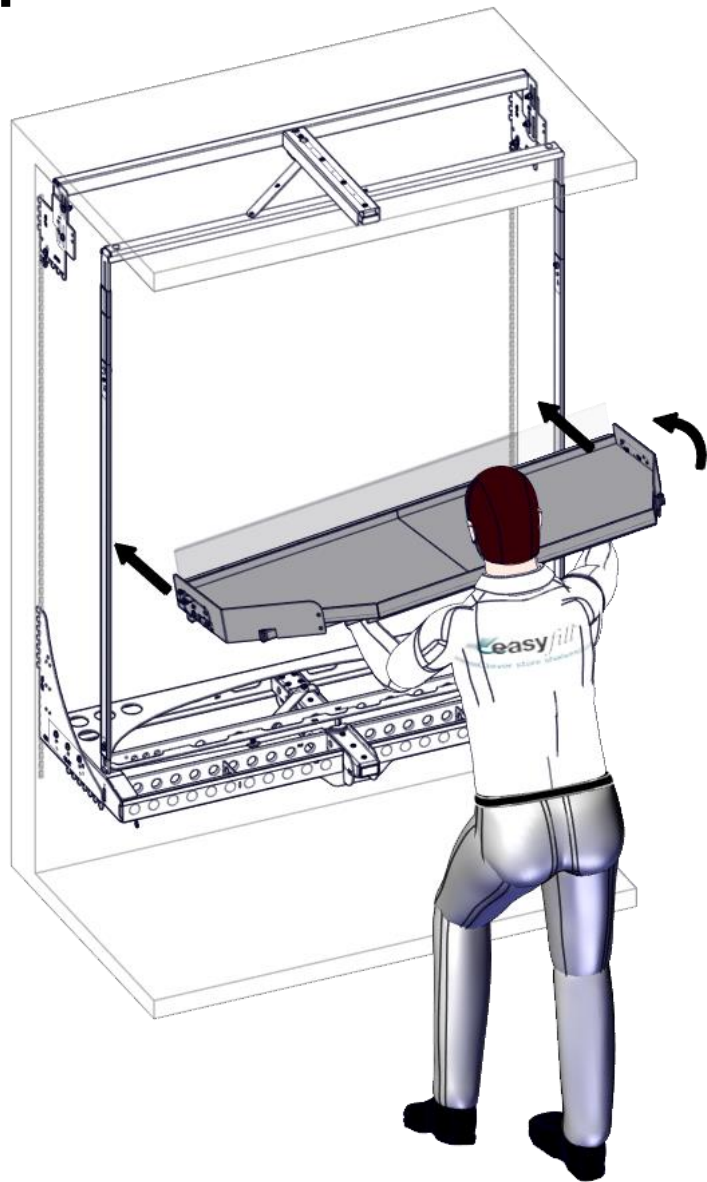


10

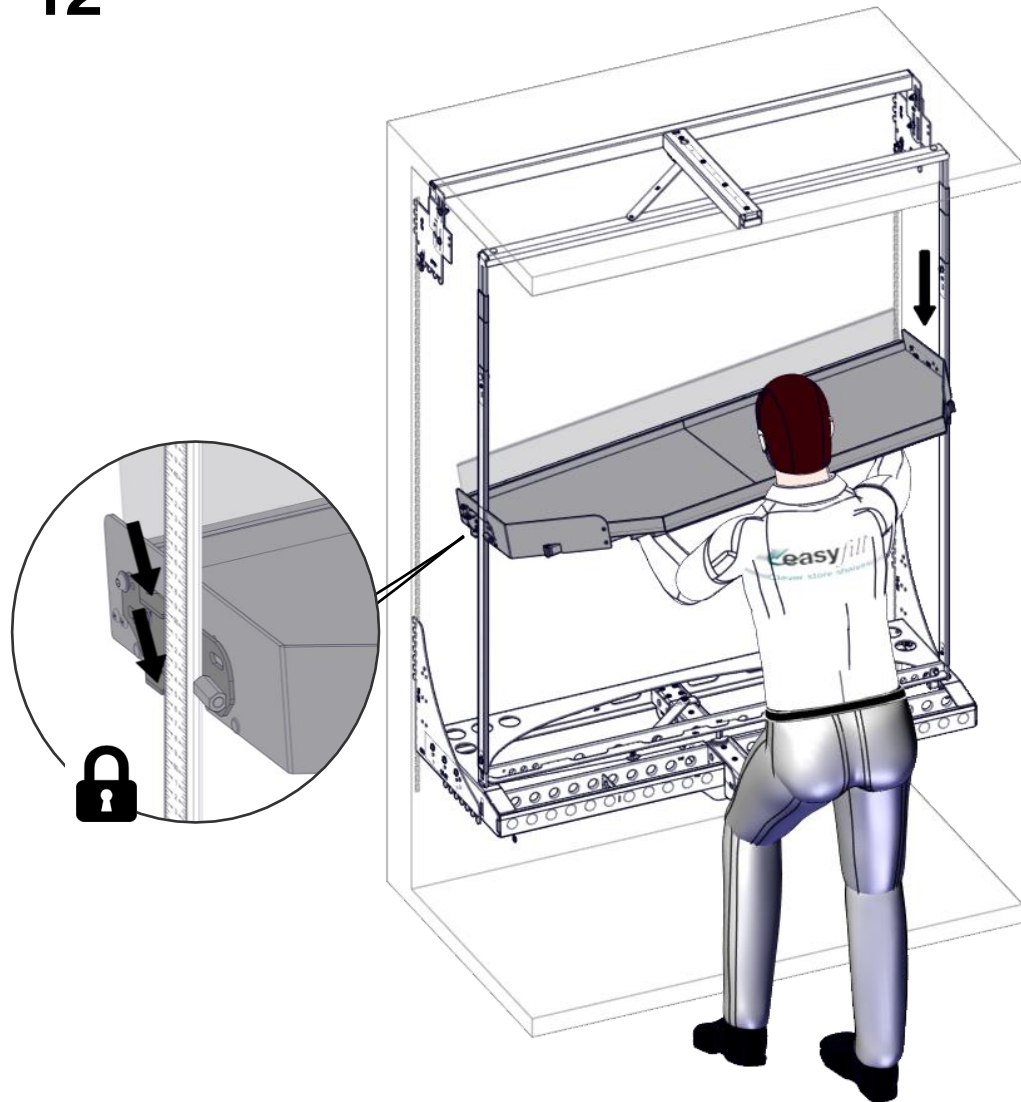




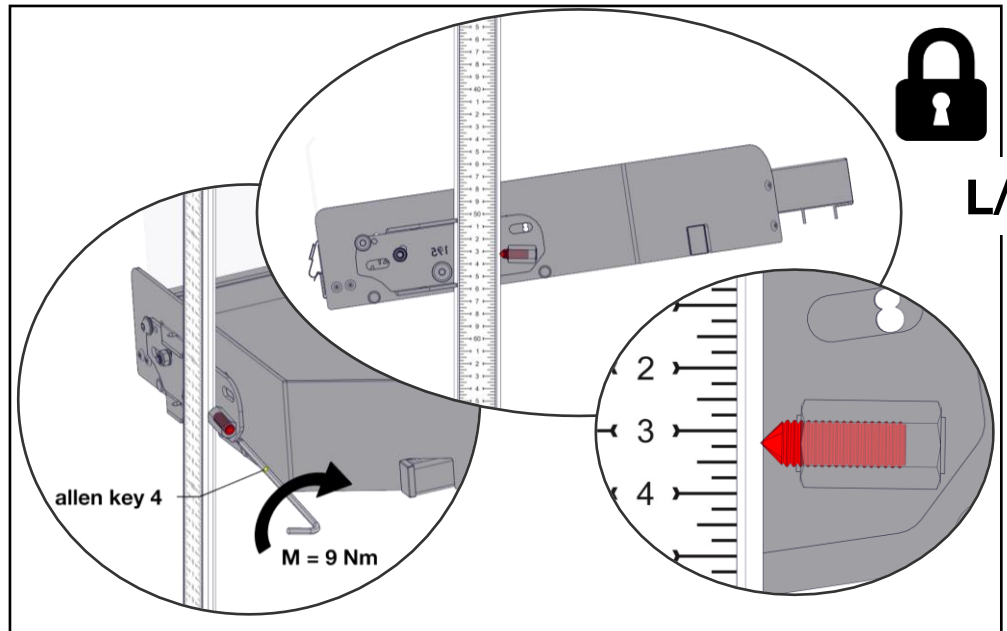
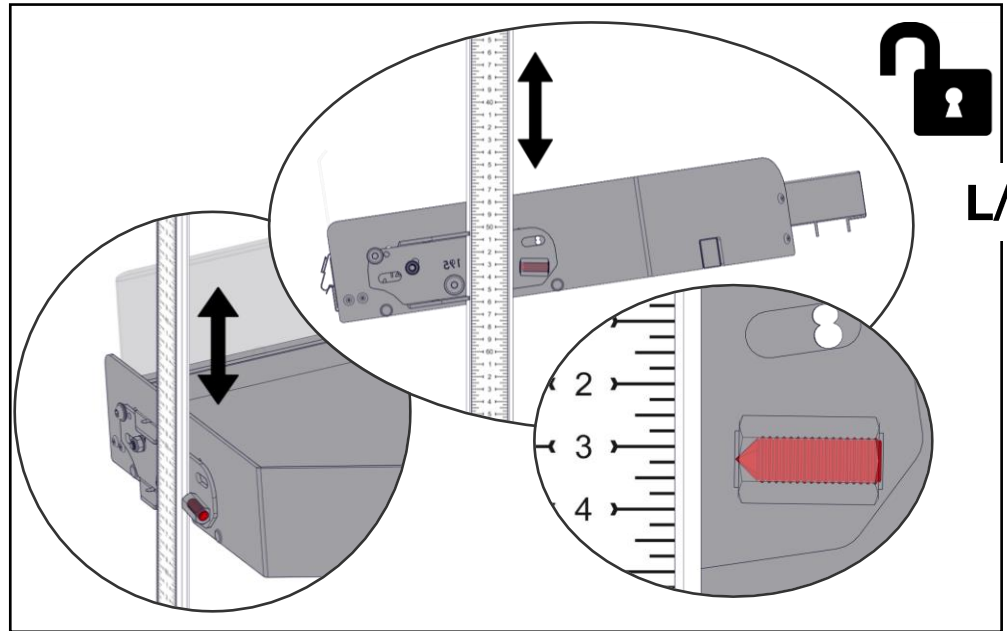
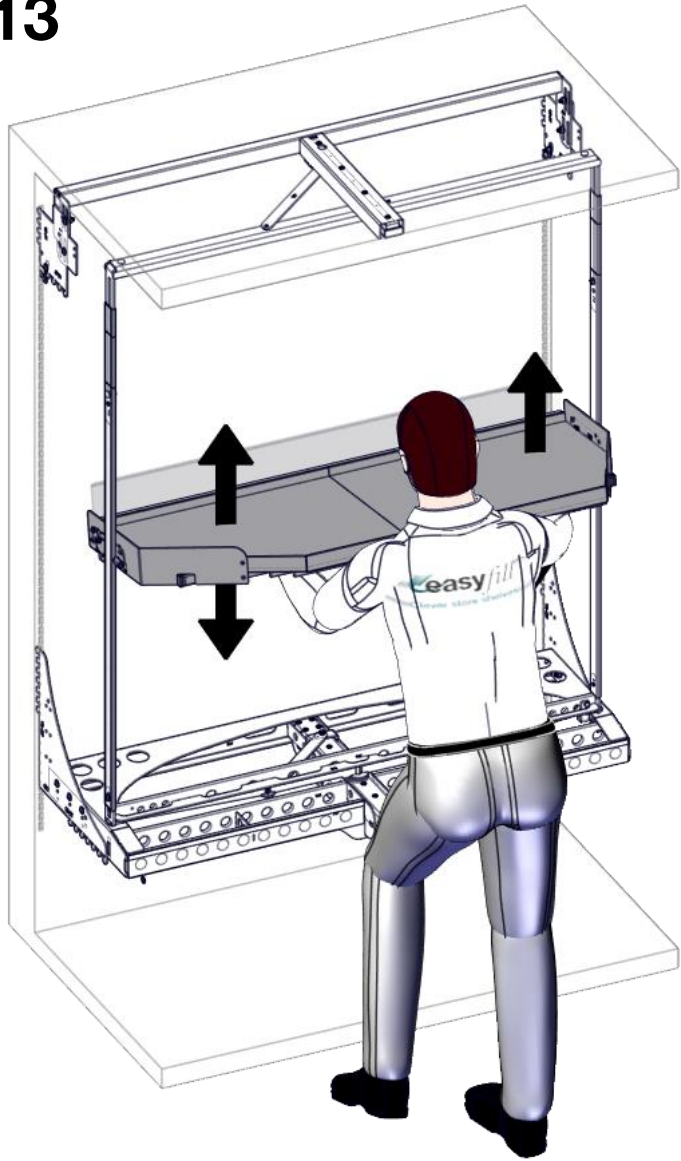
11



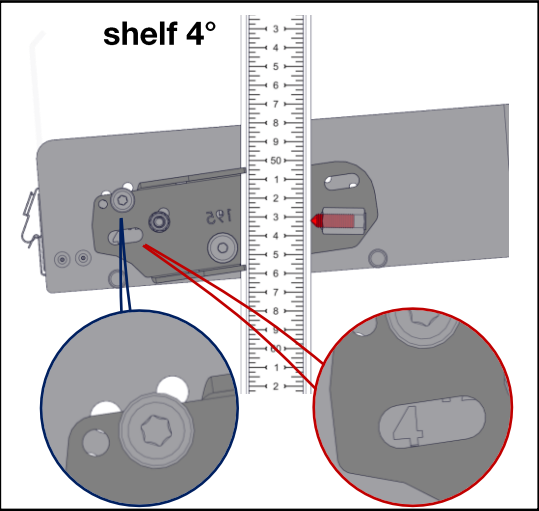
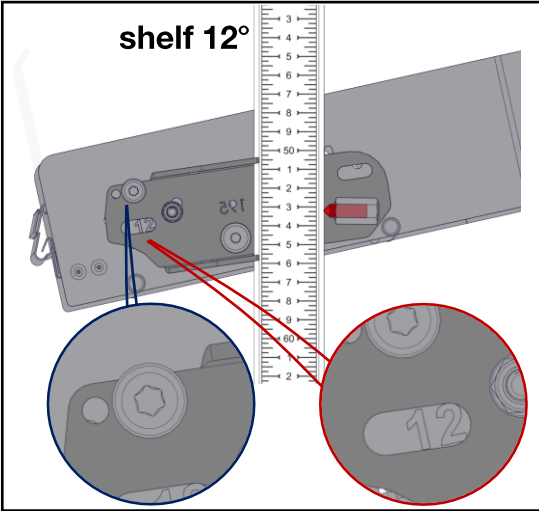
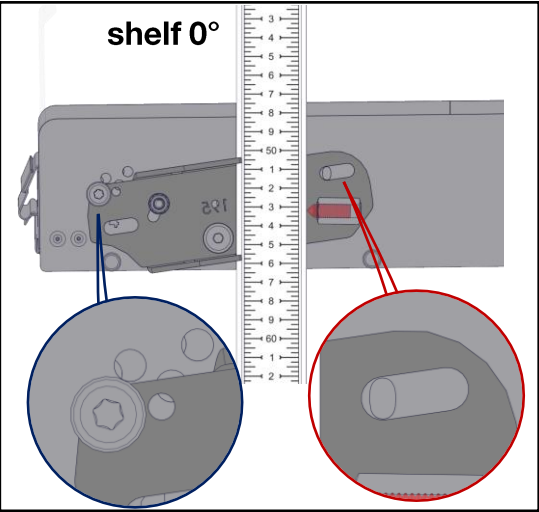
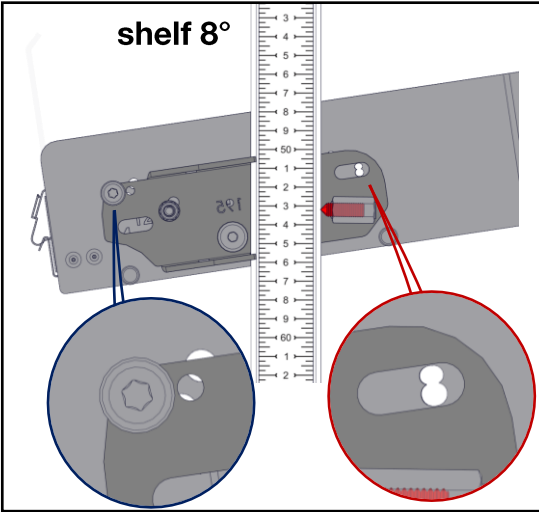
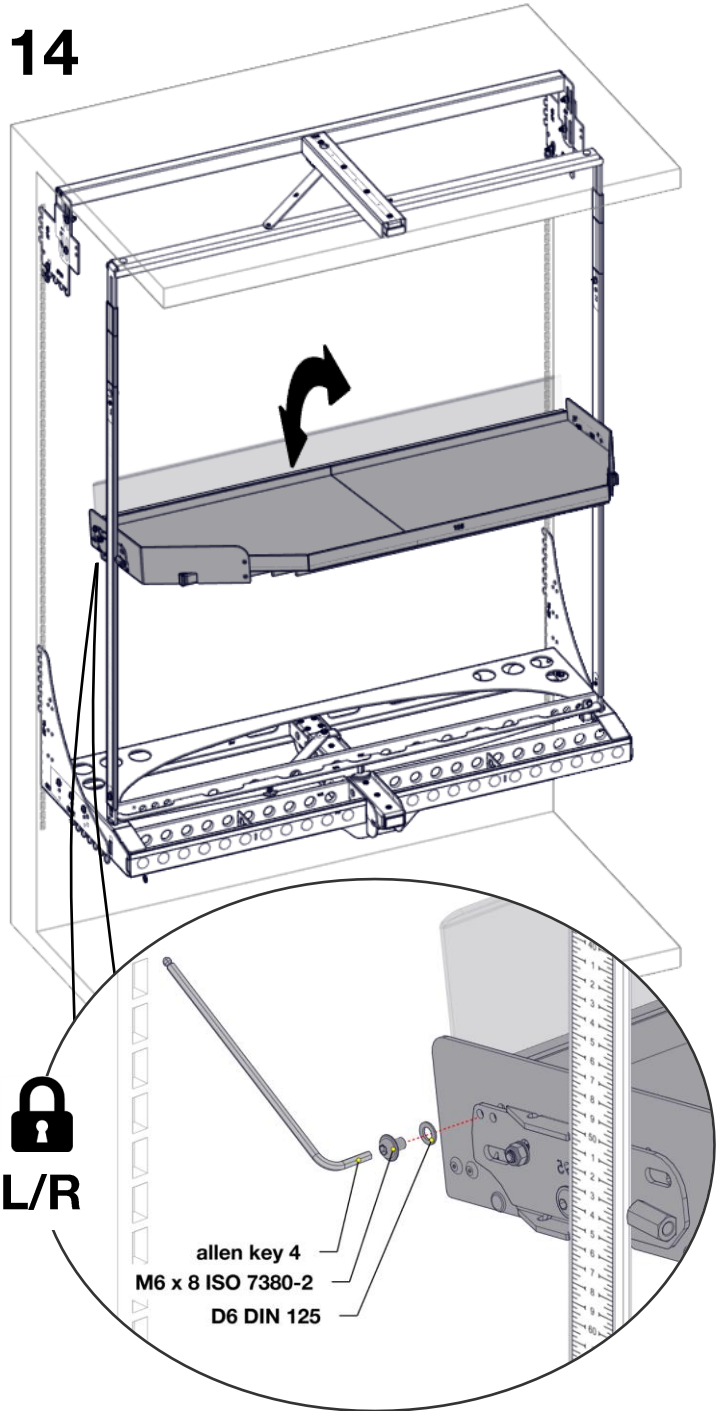
12

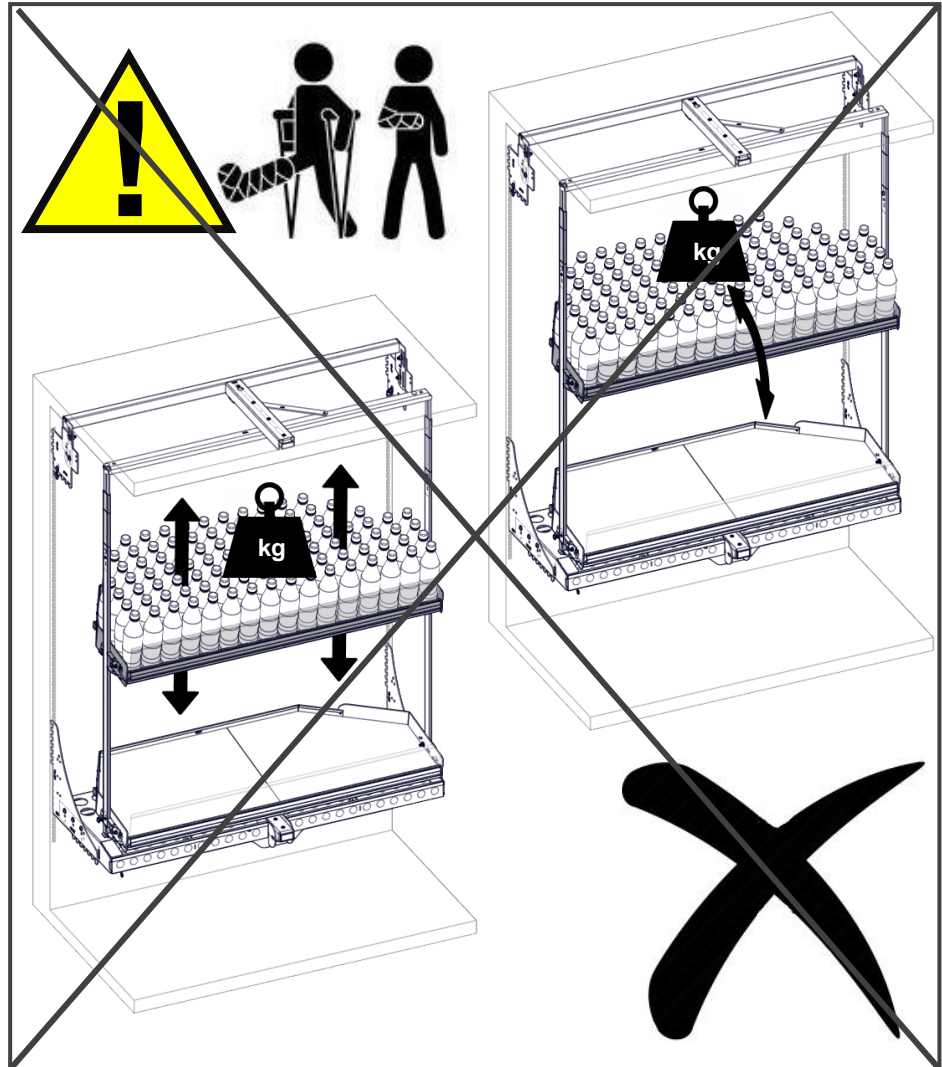
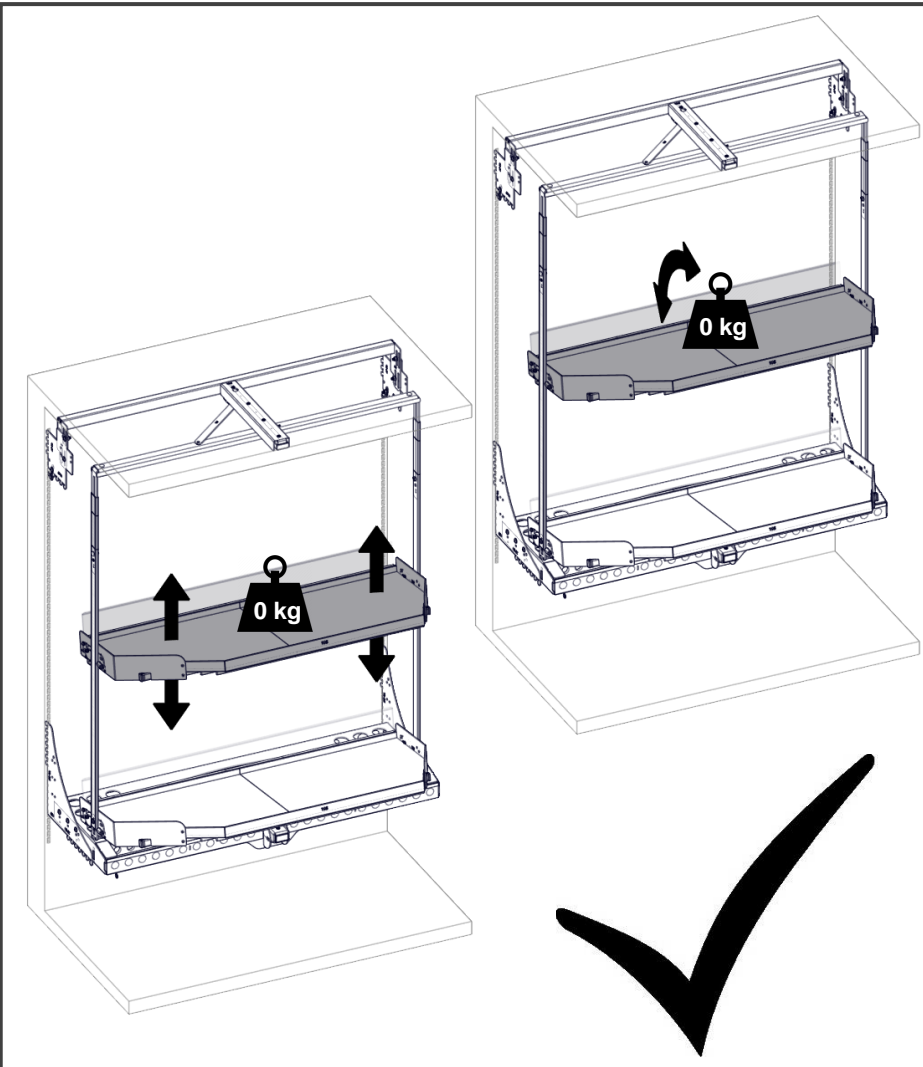


13



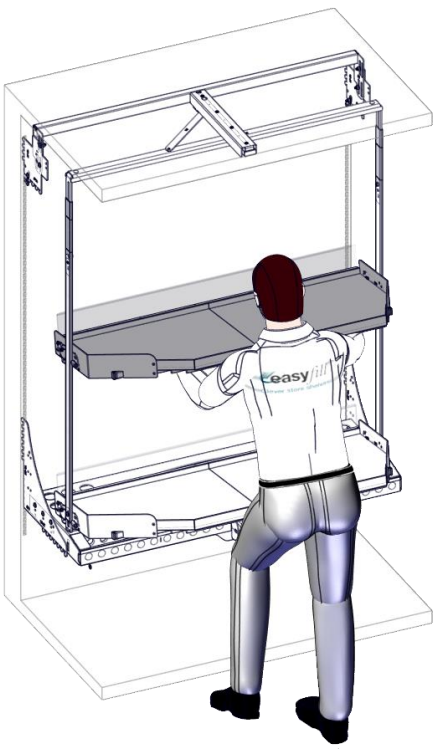
14



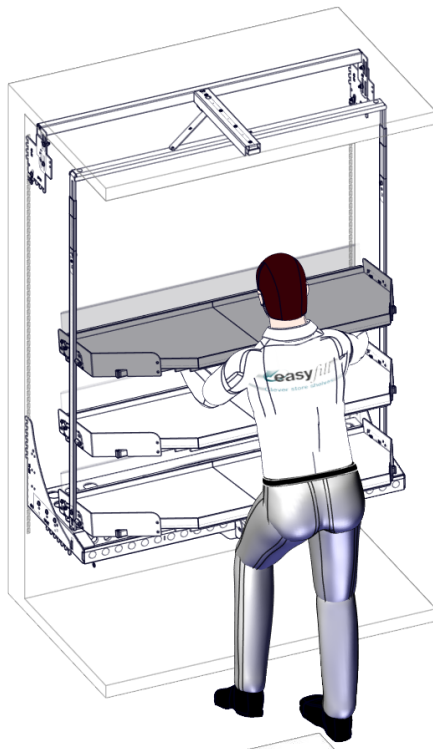




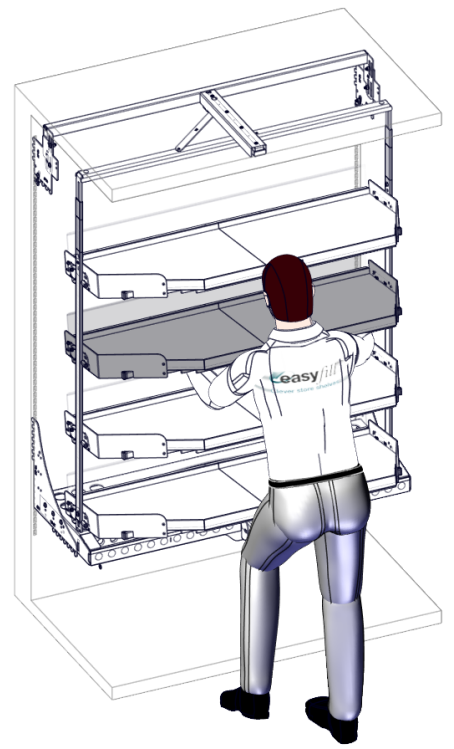
16



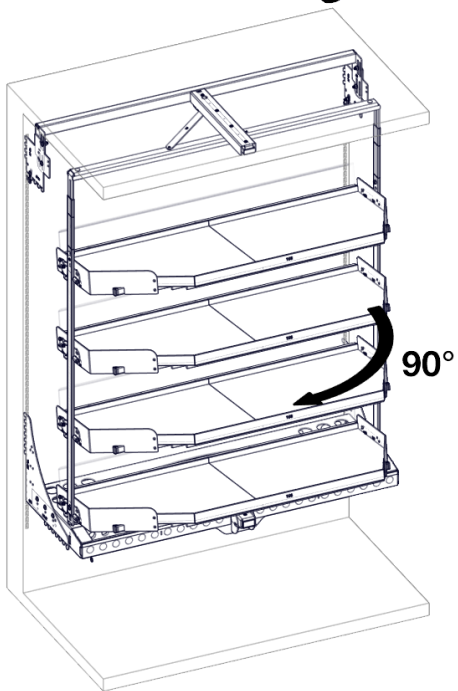
17



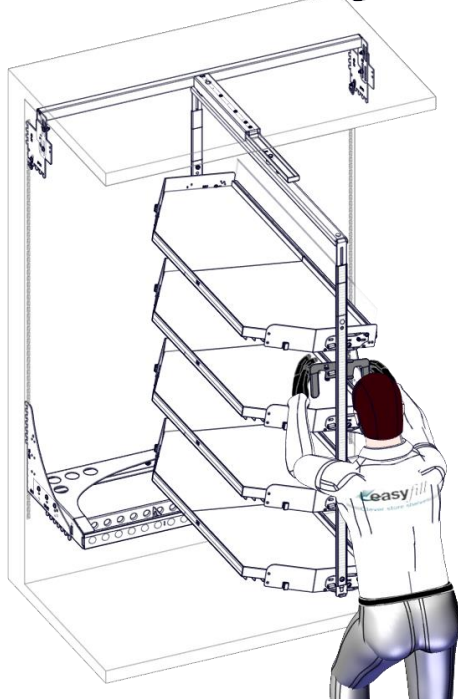
18



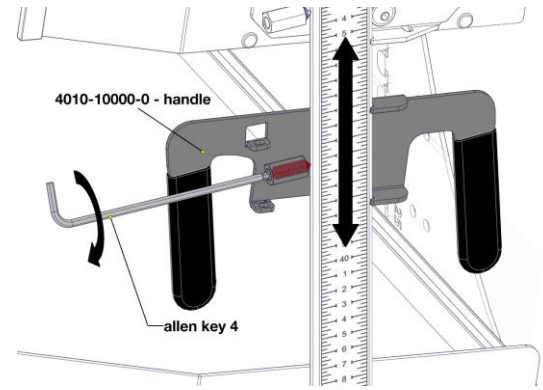
19

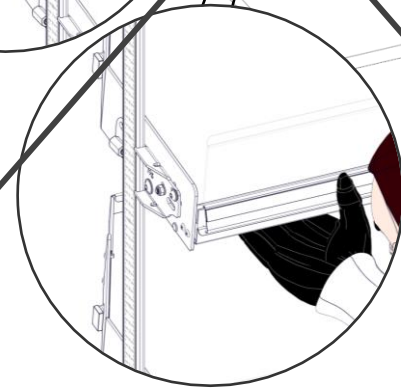
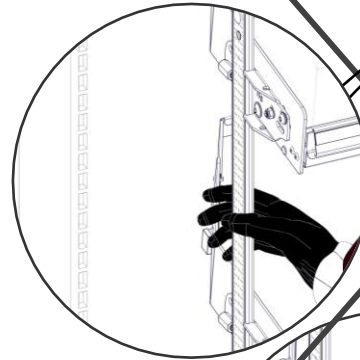
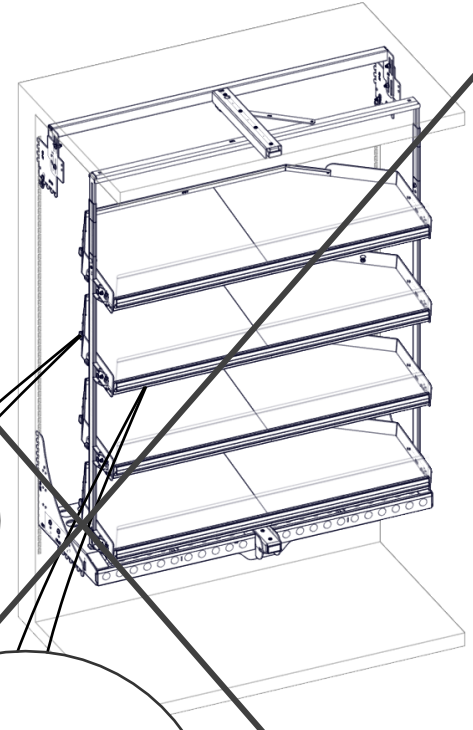
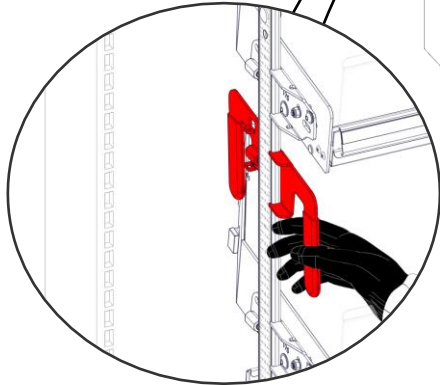
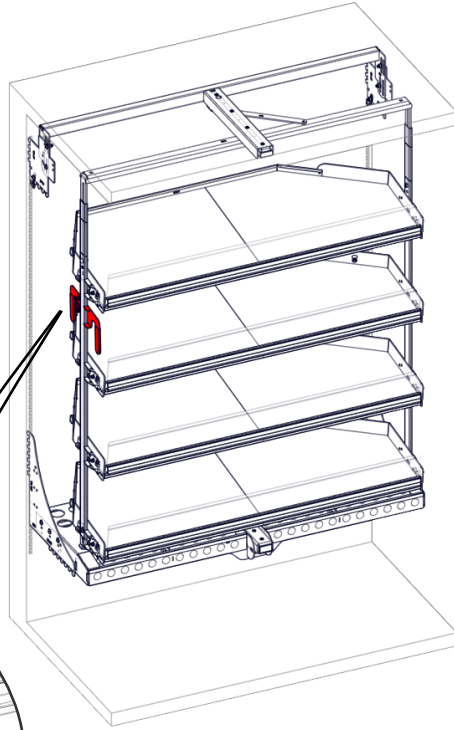


20

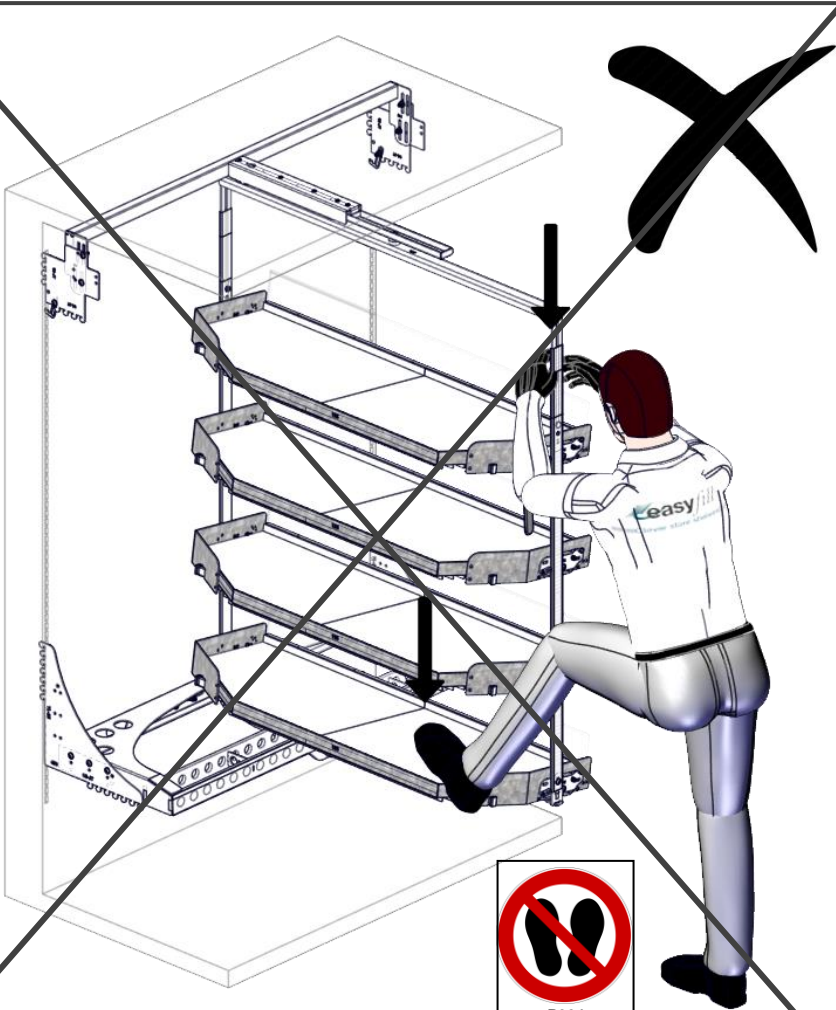


21

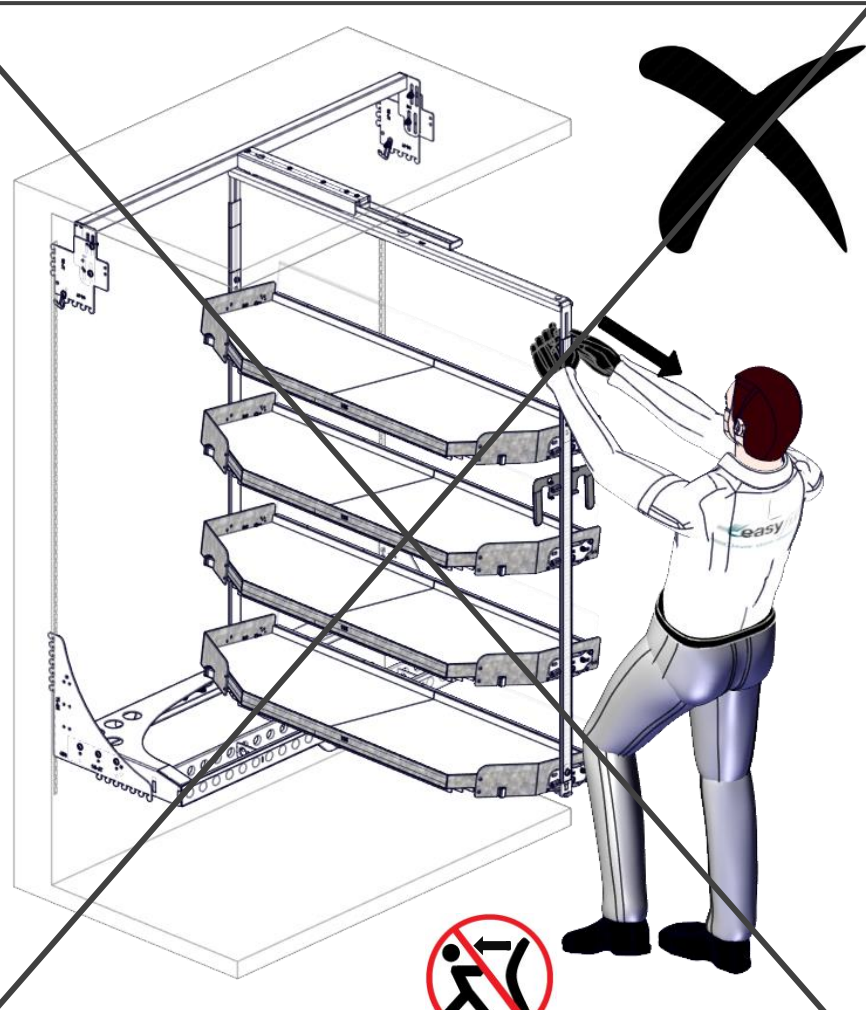




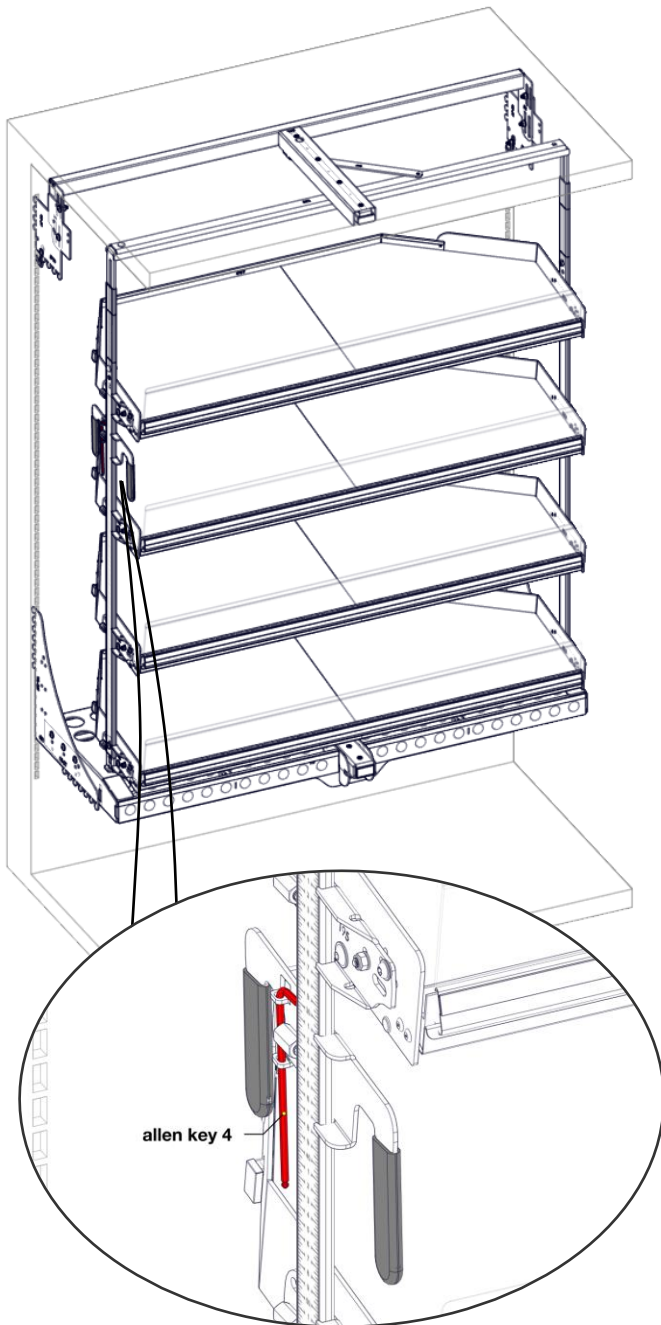
# ! WARNING !



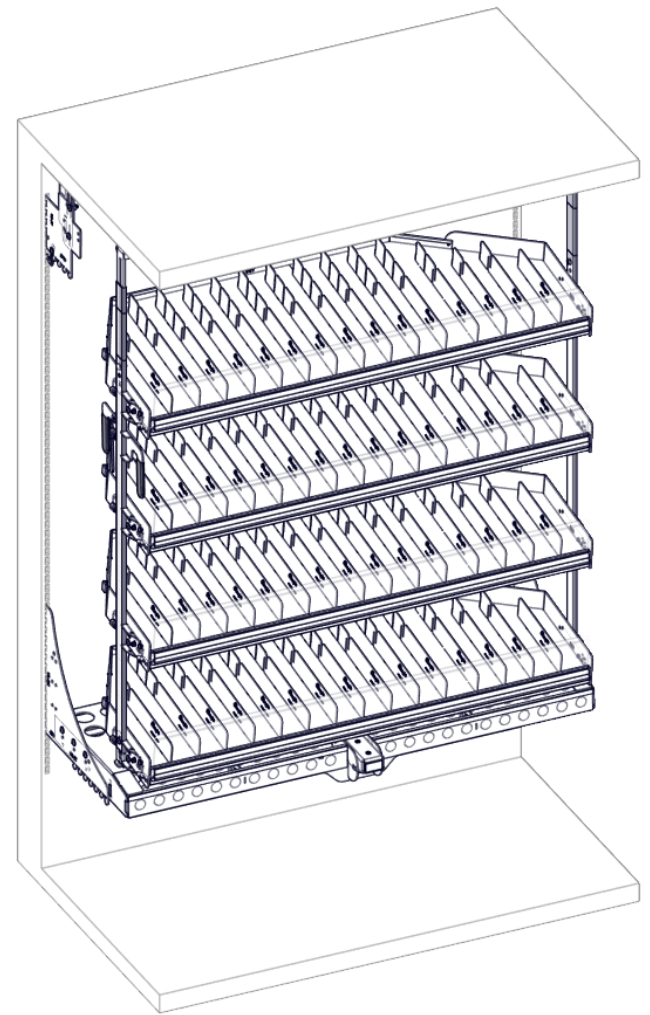
P024  
Do not walk  
or stand here



22



23

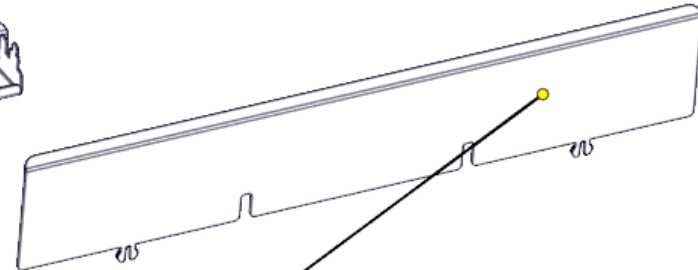
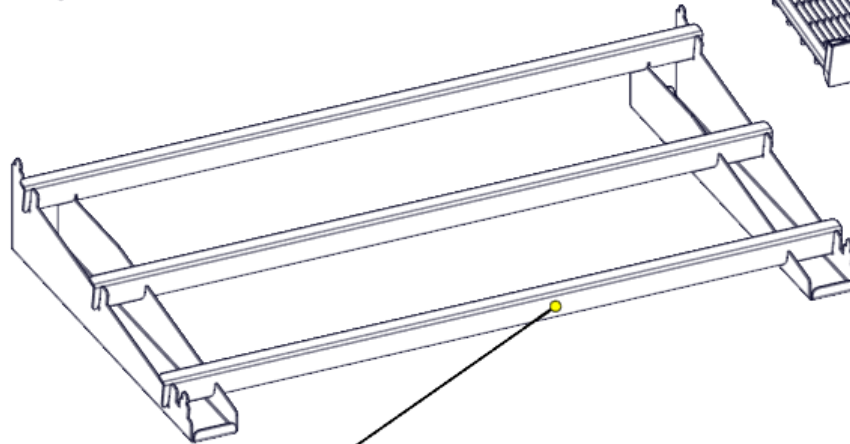
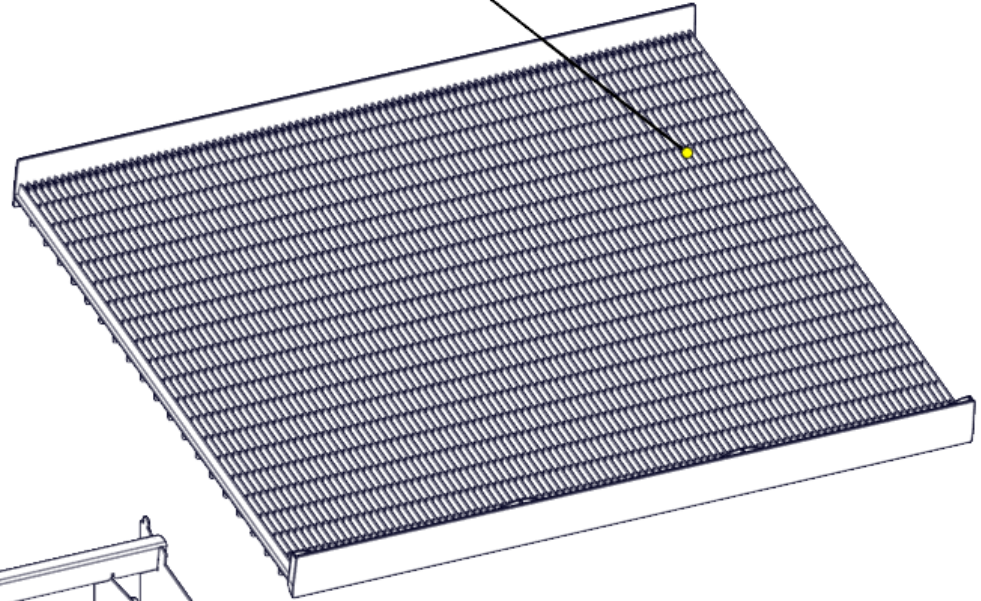
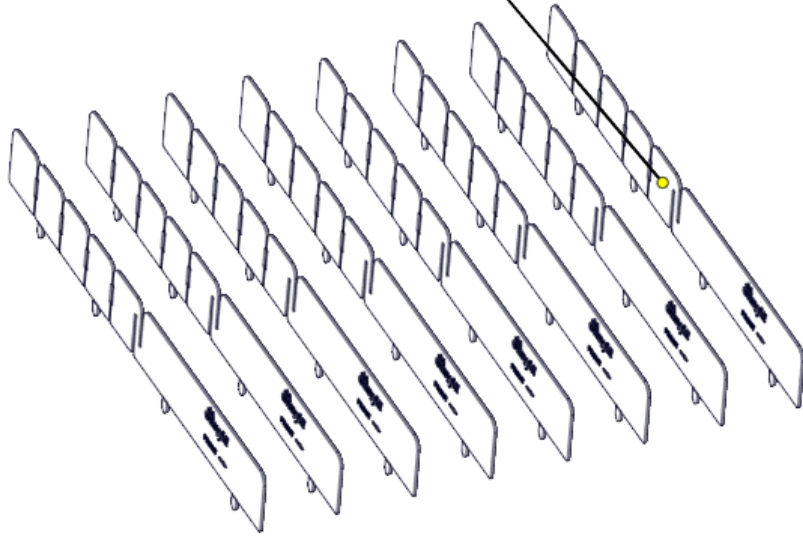


# EXTRA SET Art.No. 100514

## Art. No. 0193-70000-0 (2x)

Divider Easyfill Uni 620  
Art. NO 400476

Plastic part of bottom shelf  
Art. NO 400394

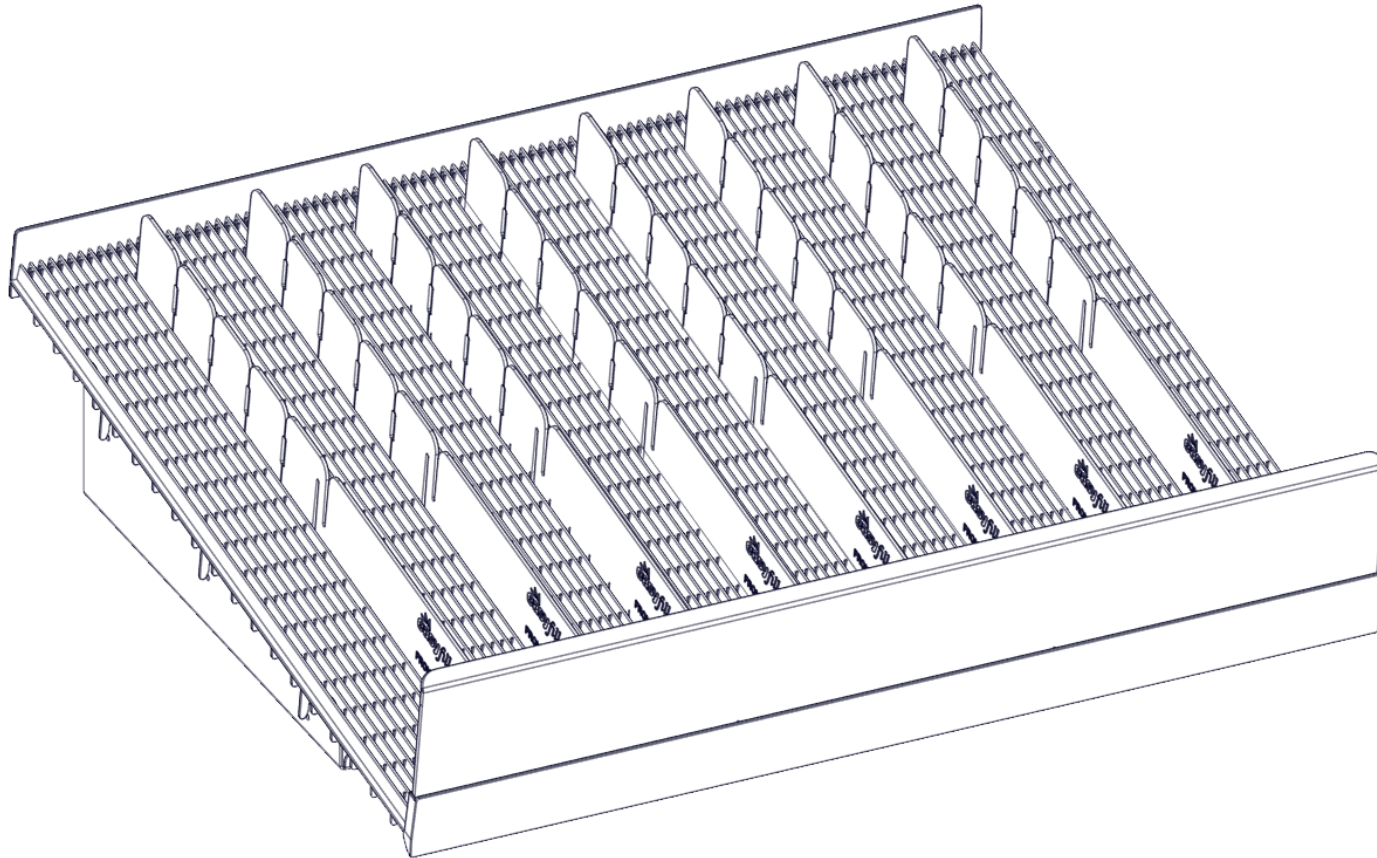


Bottom Shelf  
Art. NO 0155-44100-0

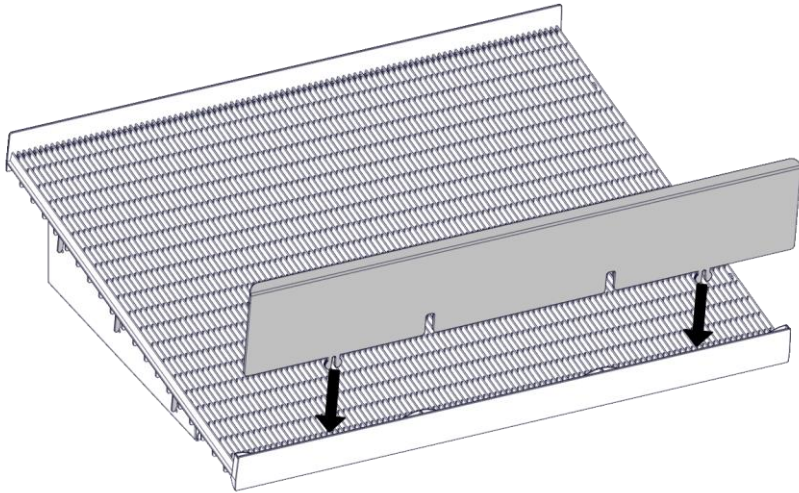
Frontstopper UNI 620 High H 113 mm  
Art. NO 0620-00113

# Installation of bottom shelf

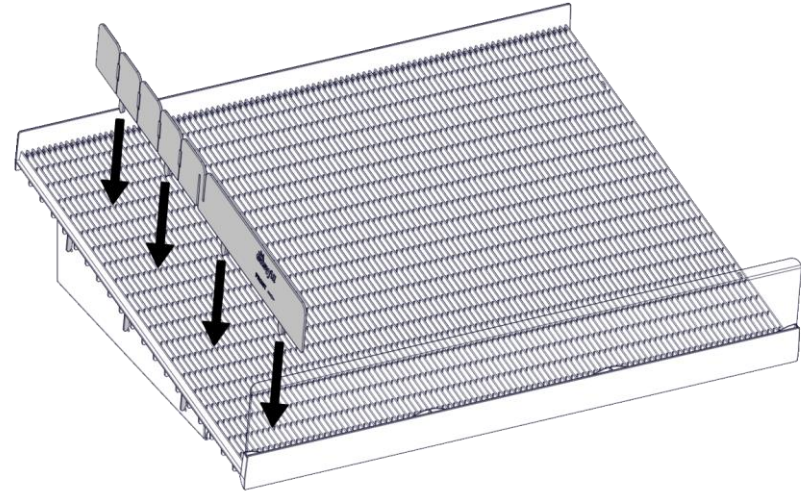
Art.No. 0193-70000-0 (2x)



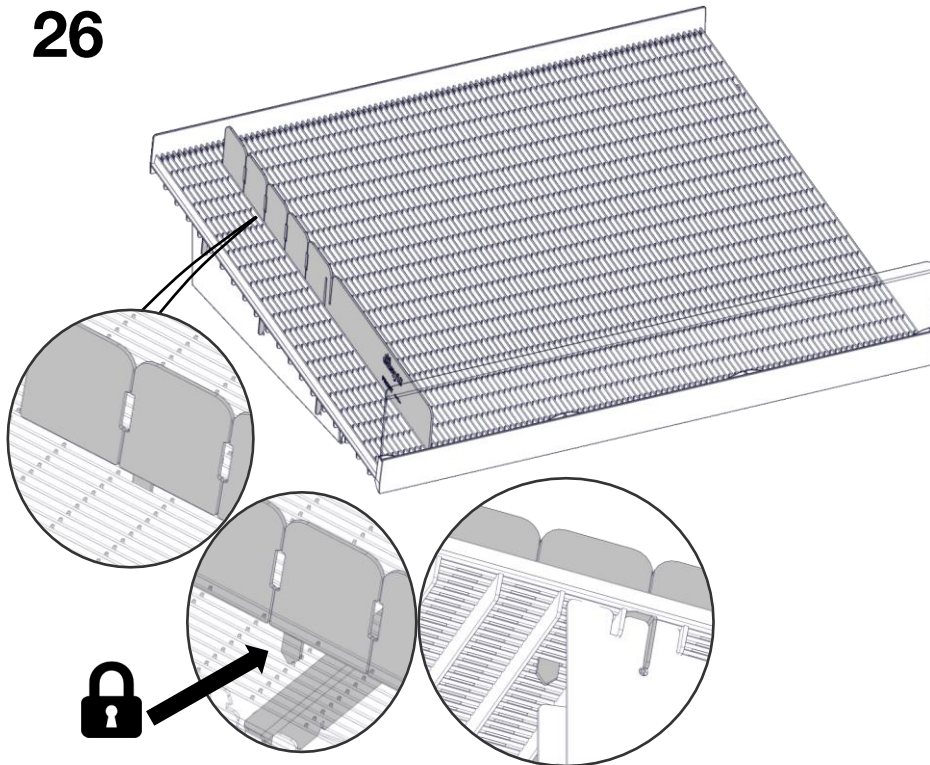
24



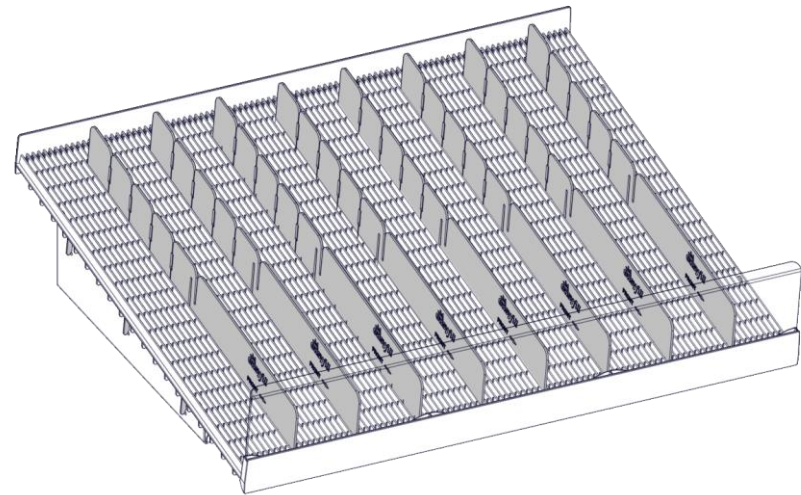
25



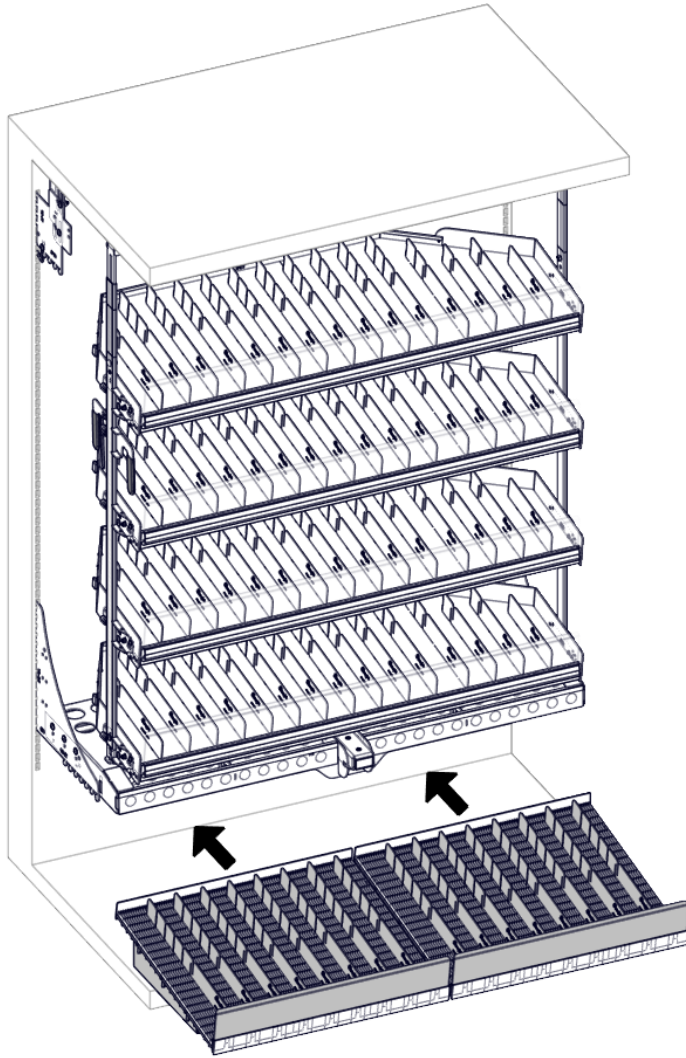
26



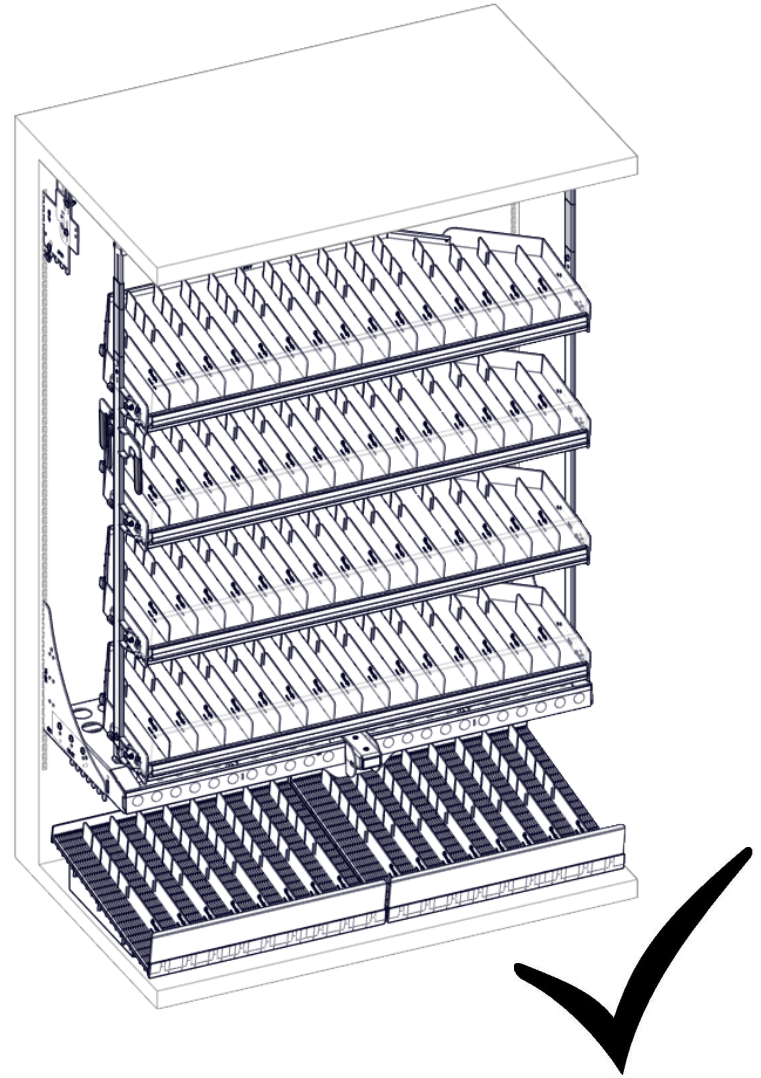
27



28

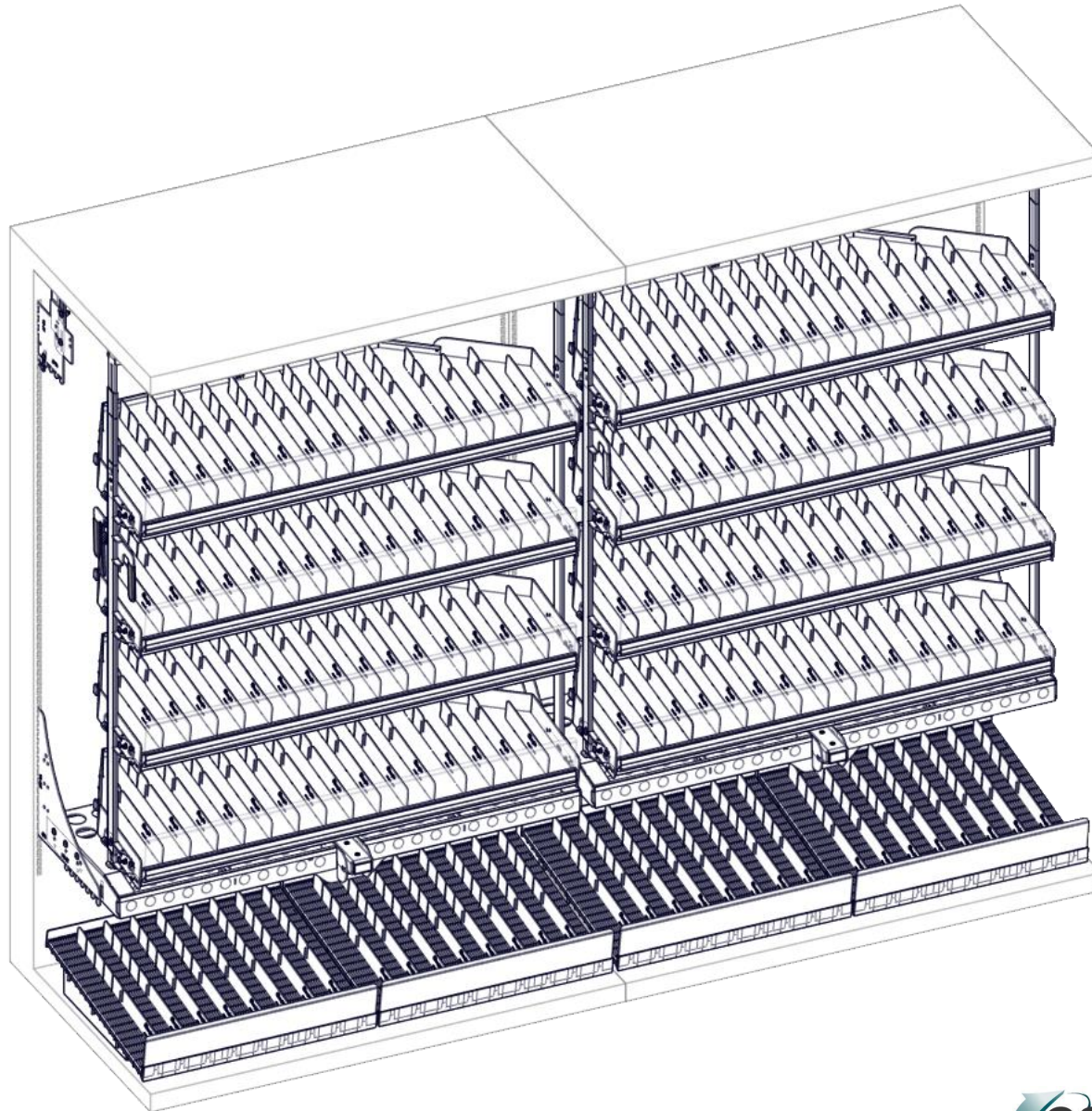


29

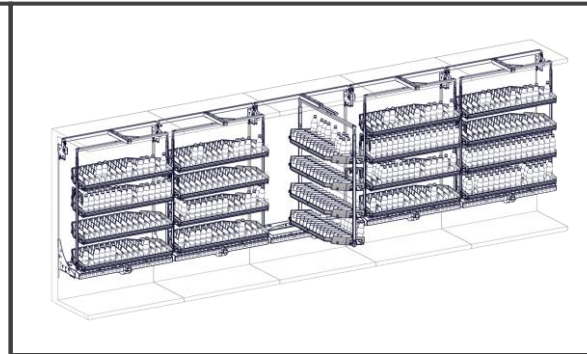
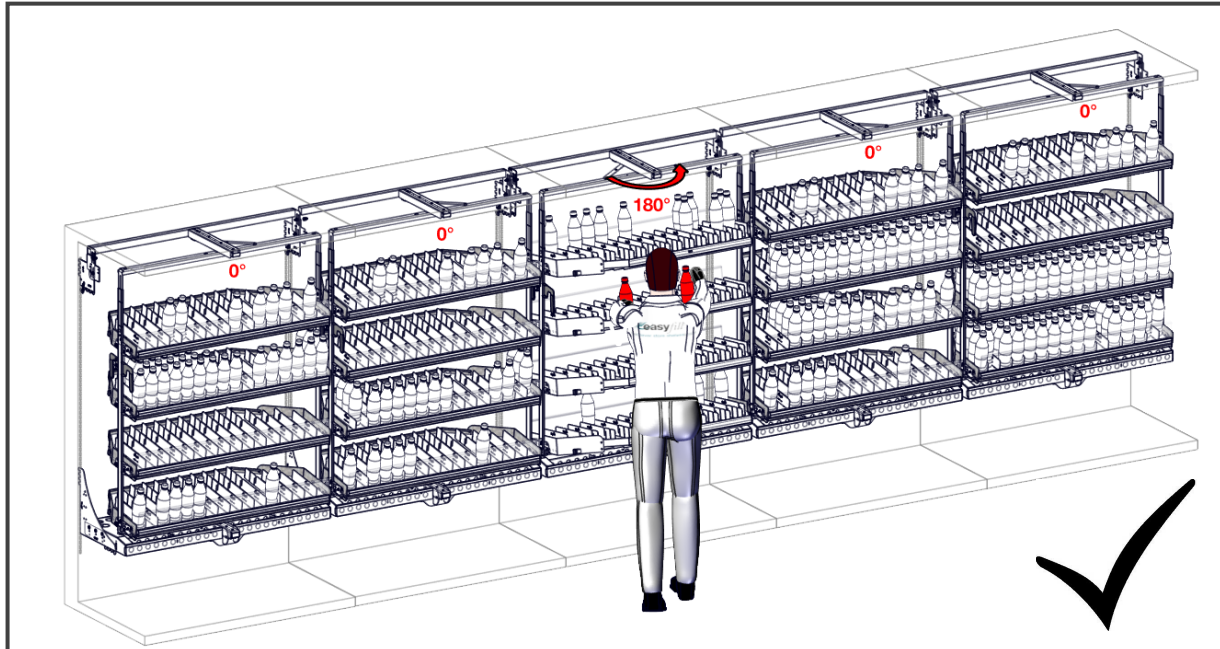
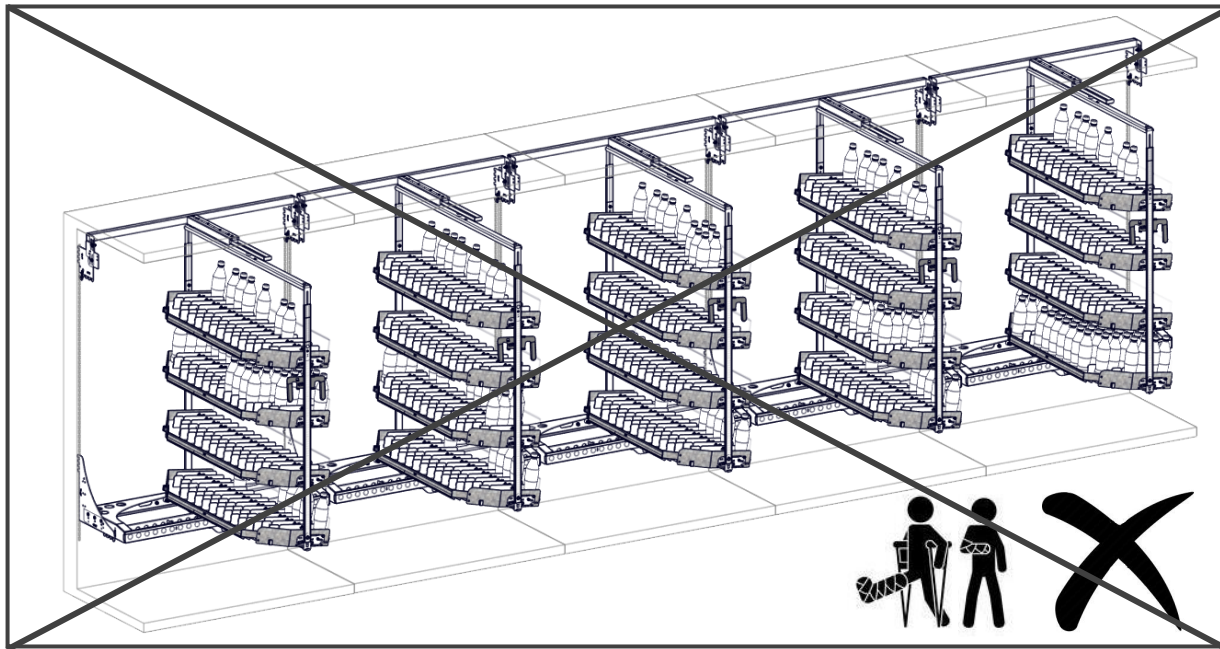


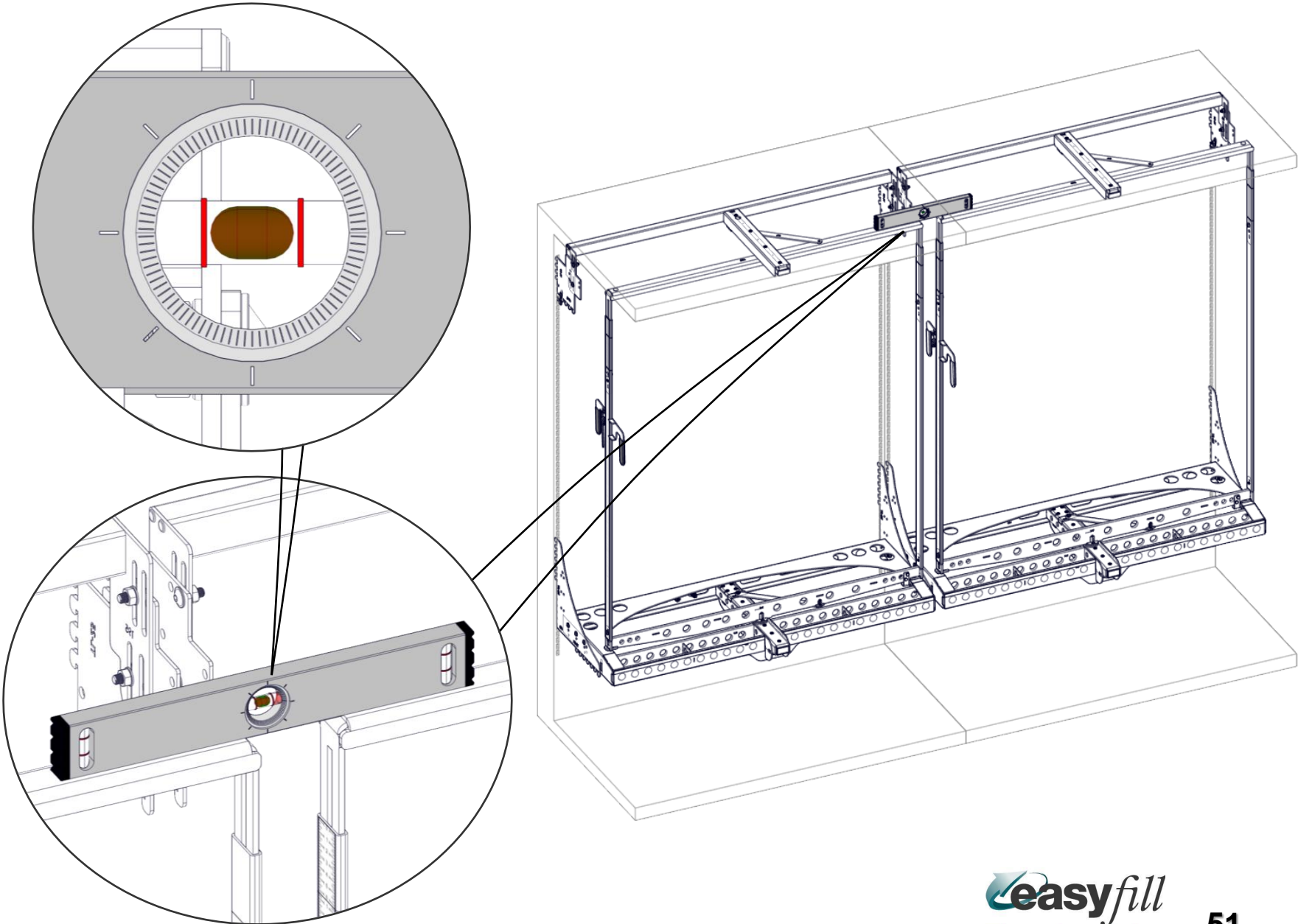


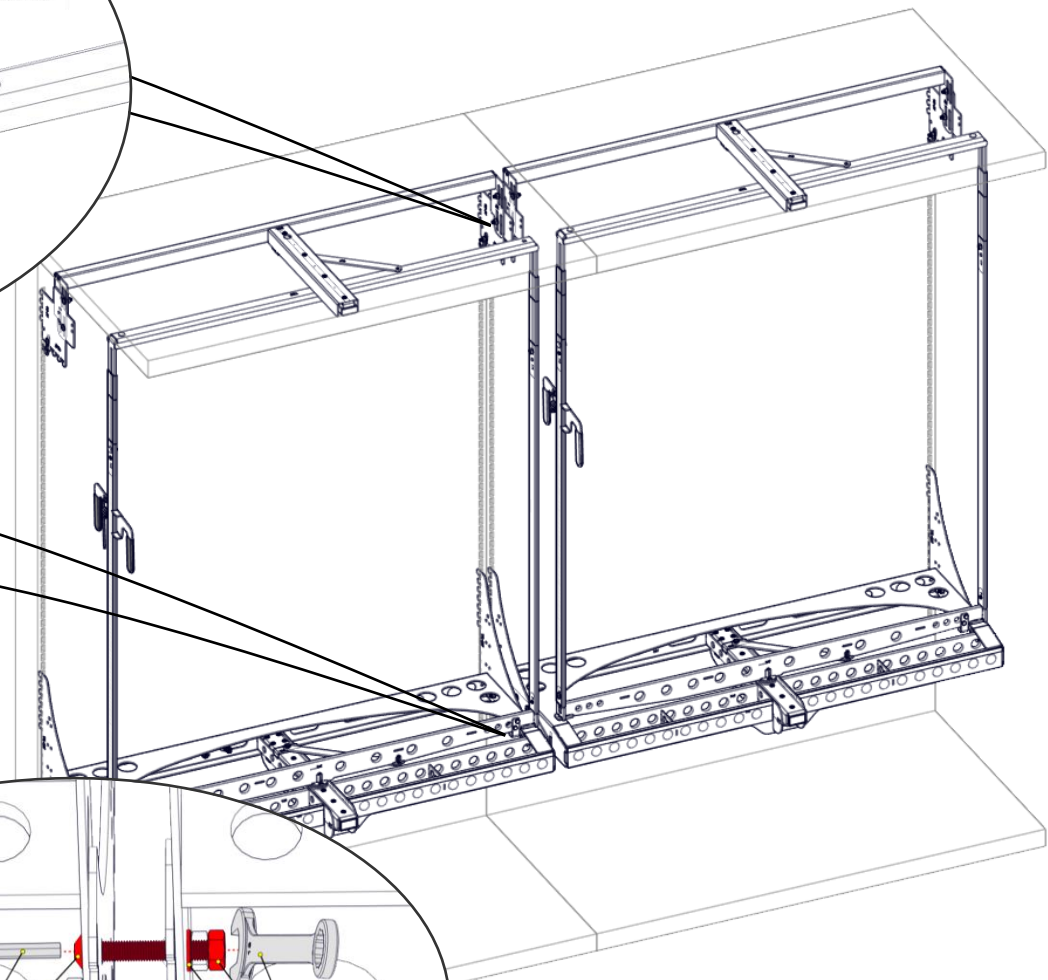
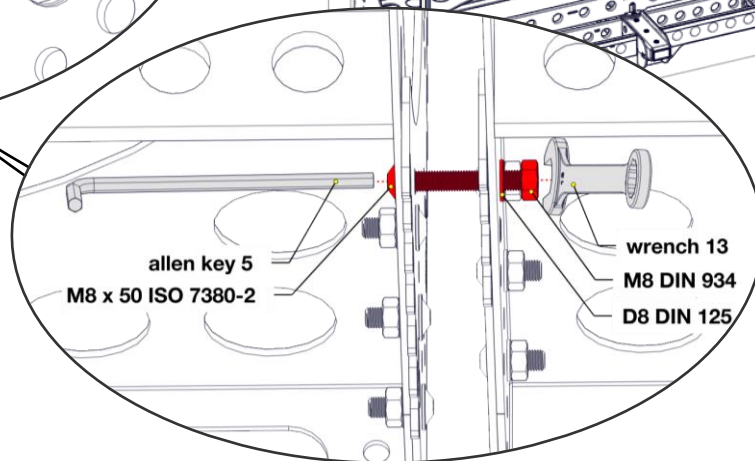
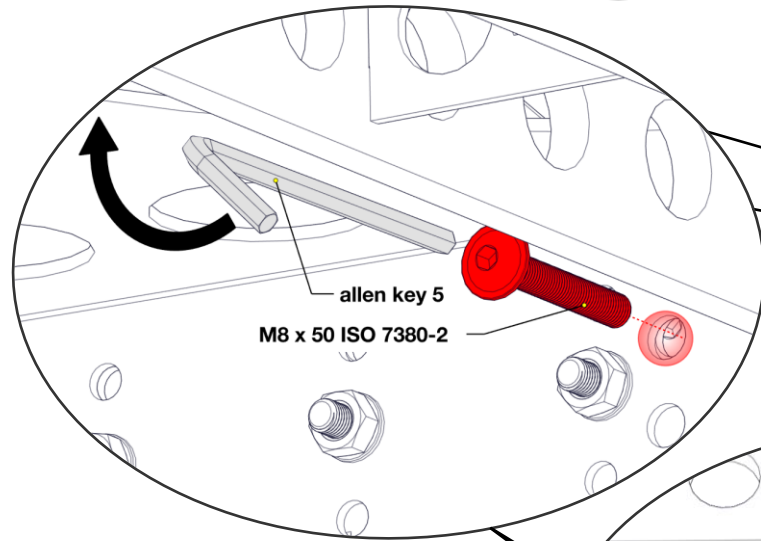
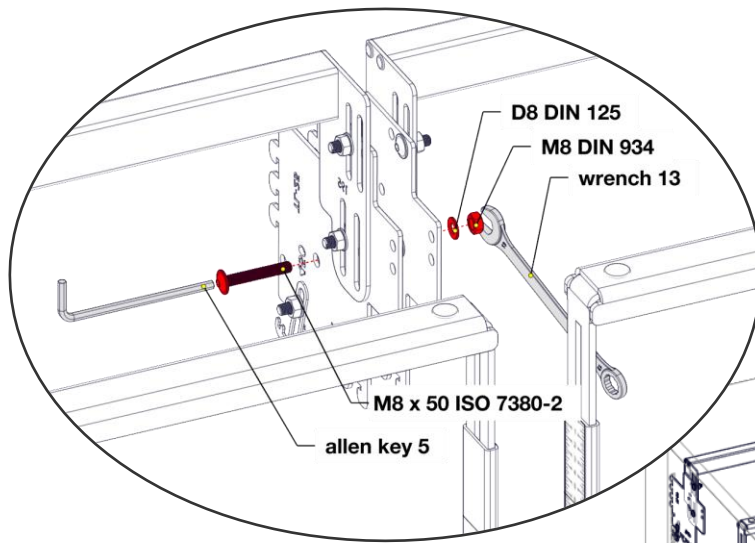
# Multiple installation



# ! WARNING !

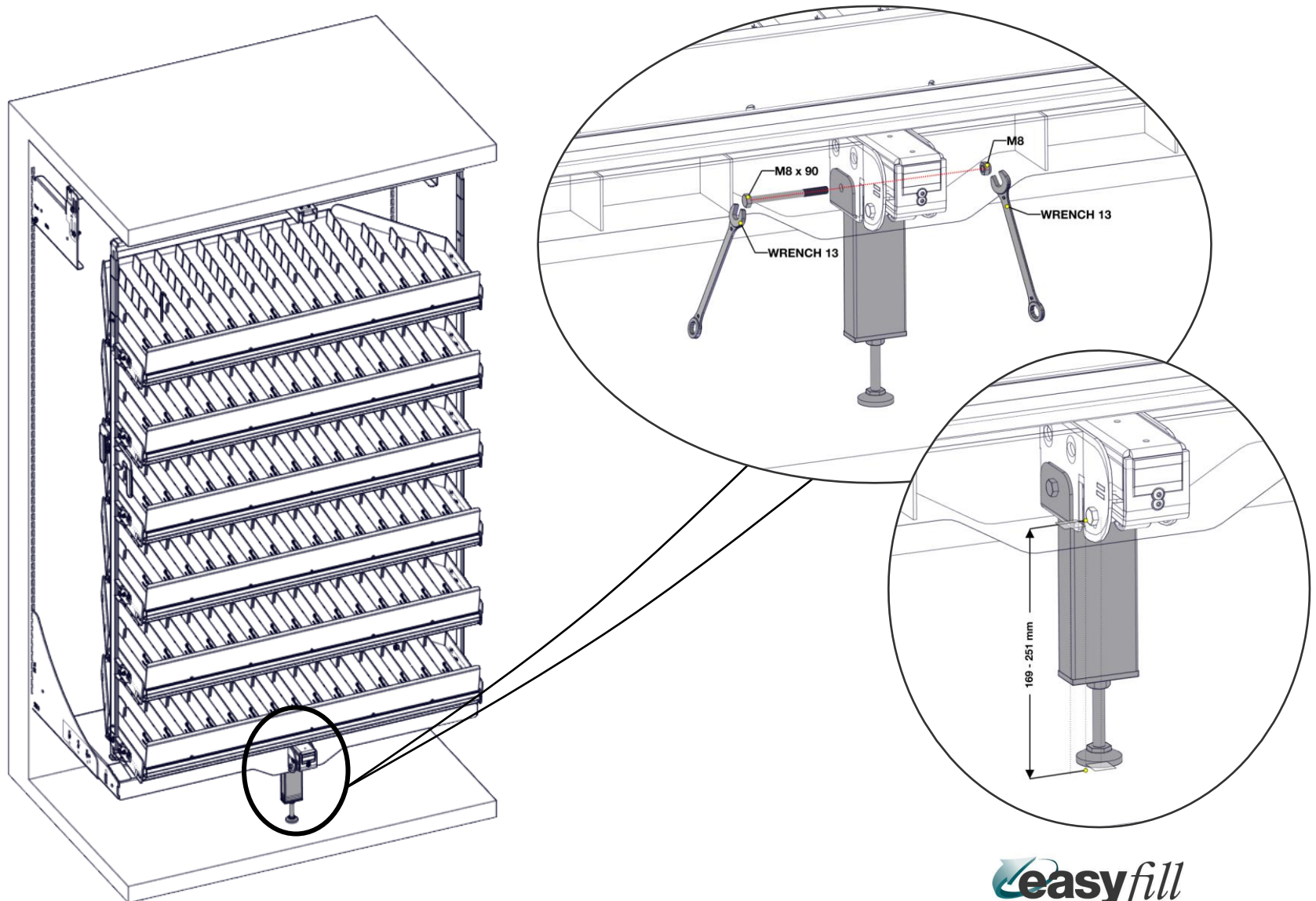






# TurnLoader™ MD 1250 - TOP Art. No 0195-01000-0

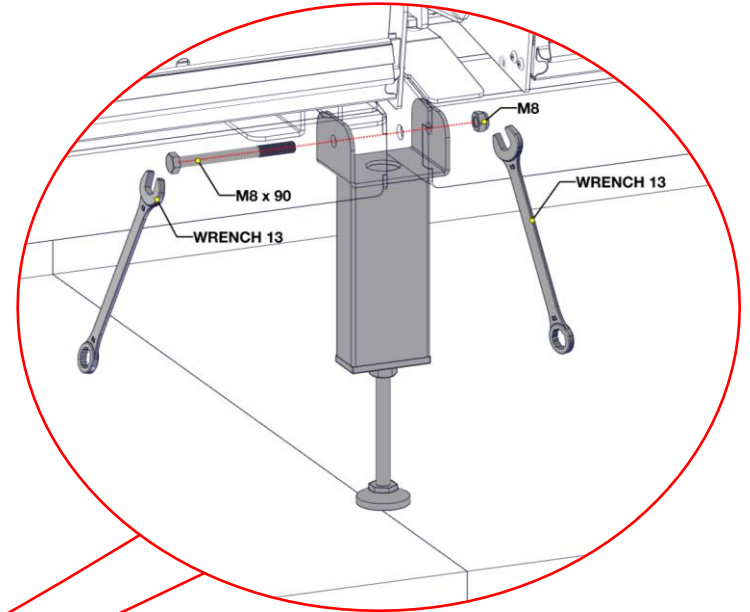
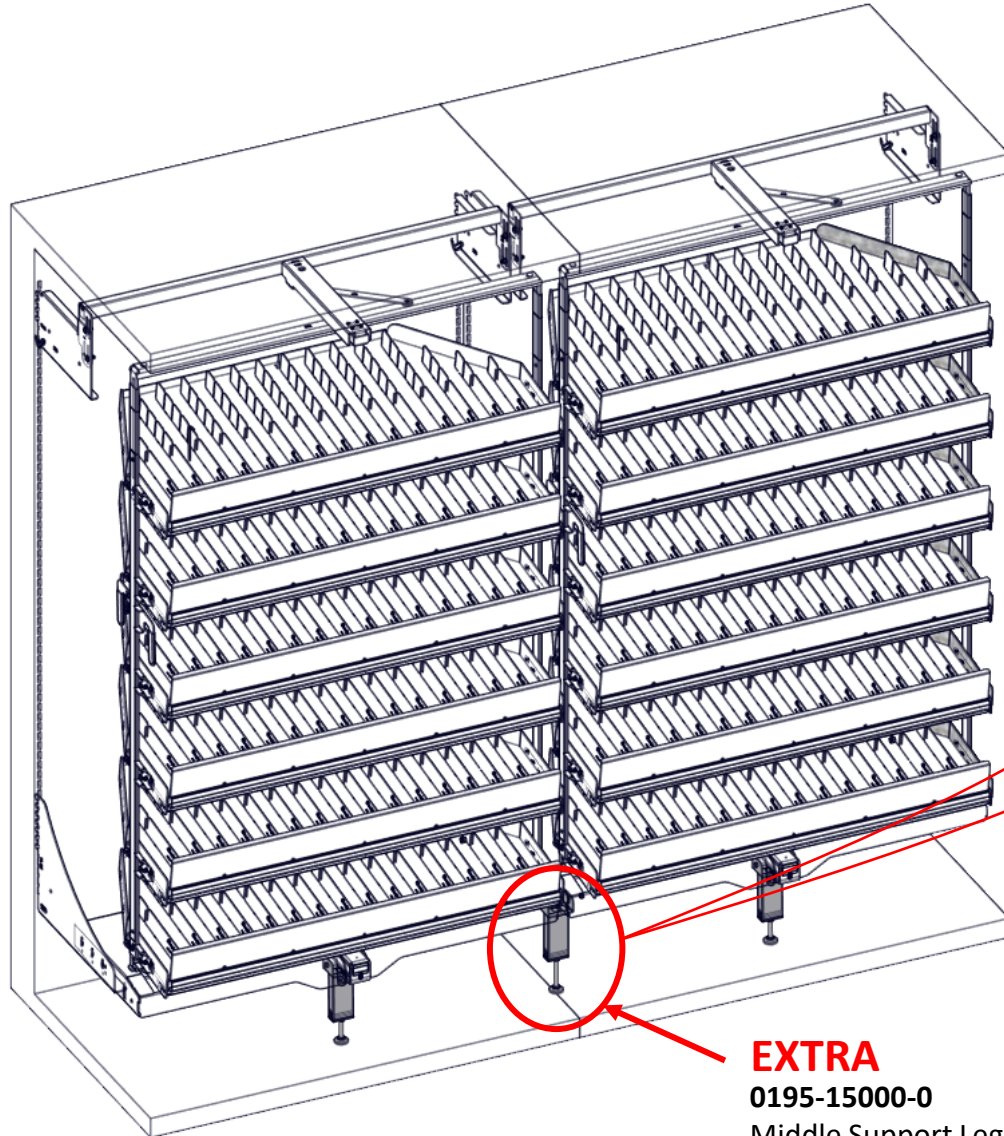
## CARRIER LONG - RIC



# TurnLoader™ MD 1250 - TOP Art. No 0195-01000-0

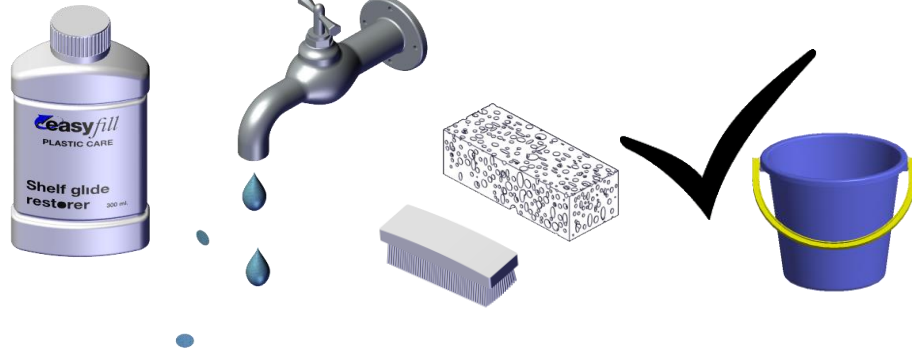
## CARRIER LONG – RIC

### MULTIPLE

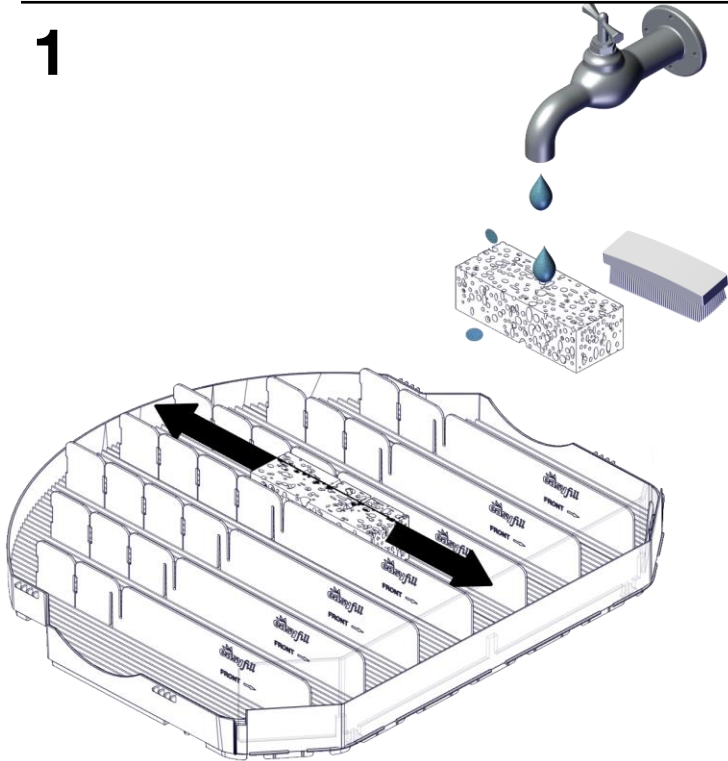


**EXTRA**  
0195-15000-0  
Middle Support Leg

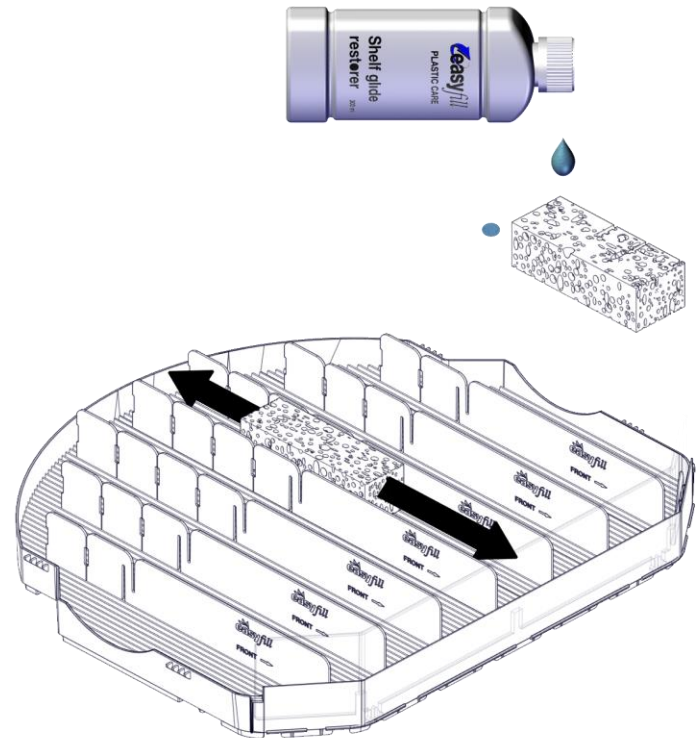
# CLEANING



1



2



**Thanks!**  
**[www.easyfill.se](http://www.easyfill.se)**

ALL PICTURES SHOWN ARE FOR ILLUSTRATION PURPOSE ONLY.  
ACTUAL PRODUCT MAY VARY DUE TO PRODUCT ENHANCEMENT.  
ALL CHANGES ARE RESERVED BY EASYFILL.